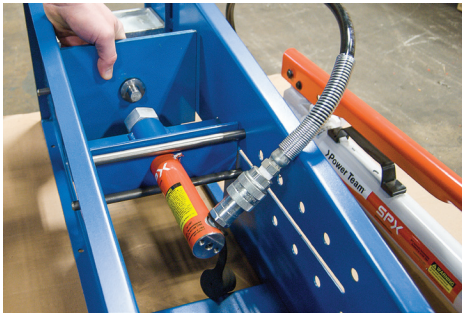




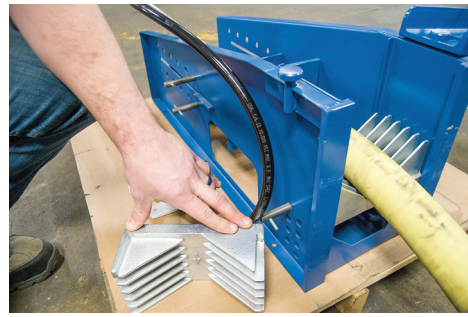
## Instructions for Operating CI96 Coupling Inserter

1.



Insert the push plate into the hydraulic ram. Note: The push plate is easily detachable to provide additional room while positioning large hoses and stems.

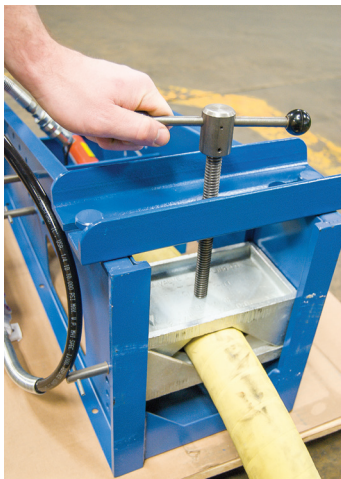
2.



Position the bottom half of the hose jaw<sup>1</sup> in the jaw guides such that the hose is in line with the center of the push plate. Secure the bottom half of the hose jaw.

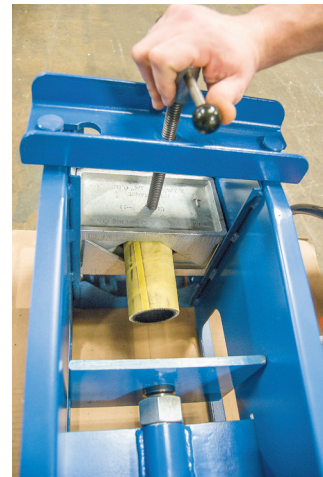
<sup>1</sup> Use CI93-11 jaws (standard) for hoses having an O.D. of 2-3/4" to 7-1/4". Use CI9311SML jaws (optional) for hoses having an O.D. of 1" to 2-3/4".

3.



Lower the upper half of the hose jaw through the jaw guides onto the hose. Position the jaw adjustment plate above the top hose jaw.

4.



Adjust the hose through the jaw halves such that a sufficient length overhangs to accept the coupling. Turn the threaded spindle to tighten the jaws around the hose.

5.



Lubricate the inside of the hose end and/or the shank of the coupling with Dixon's lubricant (DCL-80). Insert the end of the coupling shank into the hose and position the hydraulic ram assembly behind the fitting. Secure the hydraulic ram assembly in place with the position pins.

6.

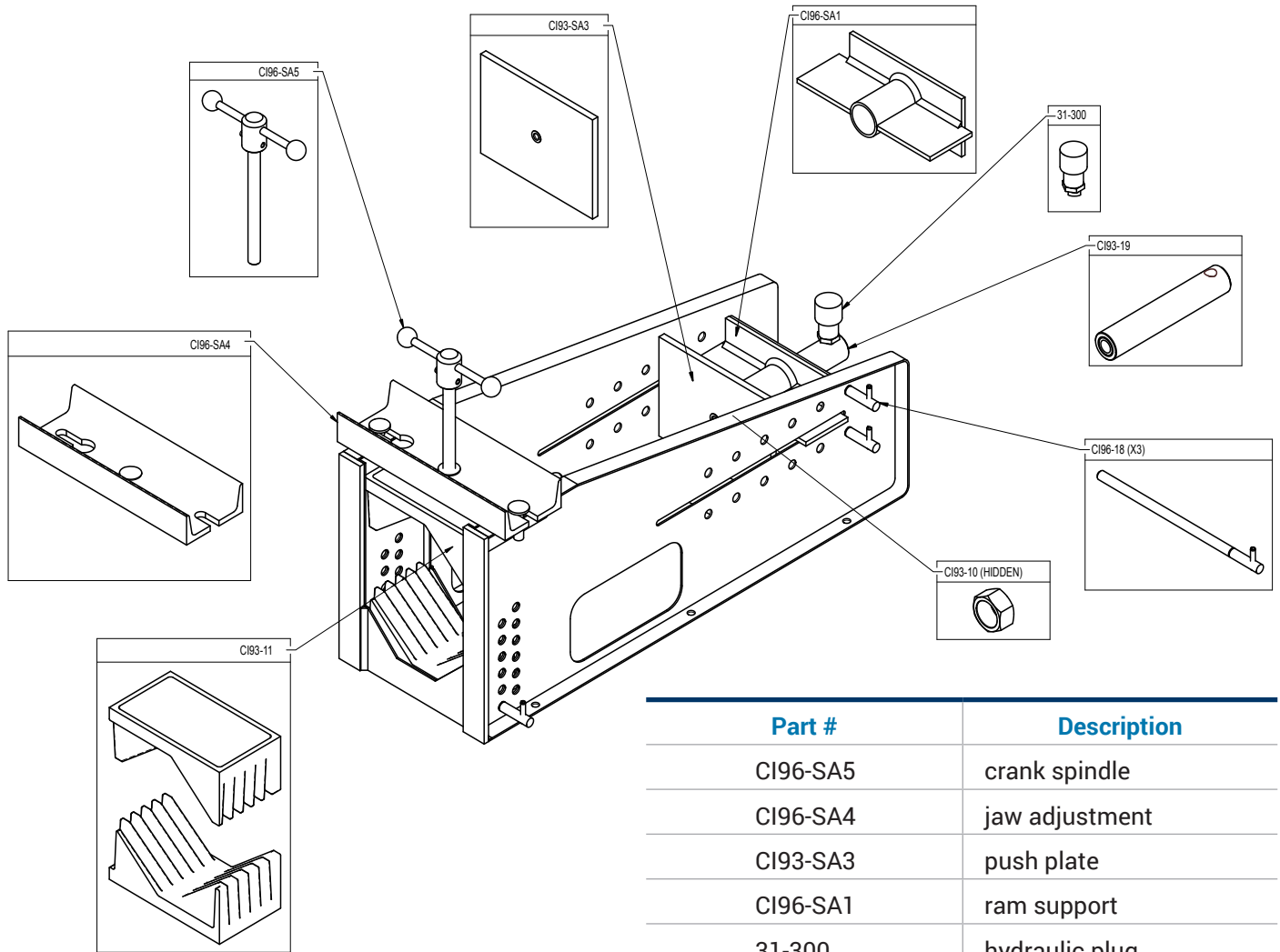


Close the pump valve and pump the ram forward until the coupling is fully inserted. Note: Make sure the fitting is aligned with hose during insertion. Open the pump valve for automatic ram return. Remove assembly.

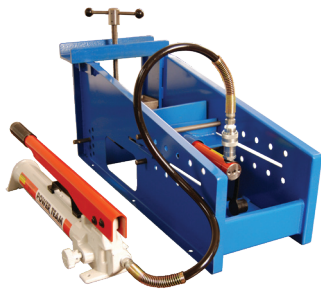


Caution: Never place body parts directly in path of hydraulic ram while in operation, as injury may result.

## Coupling Inserter Parts Diagram



Part #	Description
CI96-SA5	crank spindle
CI96-SA4	jaw adjustment
CI93-SA3	push plate
CI96-SA1	ram support
31-300	hydraulic plug
CI93-19	single action spring
CI96-18	position pins (3)
CI93-10	ram support nut
CI93-11	holding jaws



**CI96** (pictured above) - supplied with **10,000 PSI** hand pump, 5 ton ram  
**CI96AH** - supplied with **10,000 PSI** air/hydraulic pump, 5 ton ram



Optional **10,000 PSI** air/hydraulic pump

