

Vacuum Weld Fittings

Each part is crafted with precision to ensure a leak-free fit.



Application

- Vacuum sealing weld fittings used in the semiconductor industry

Sizes

- 1/2" - 6"

Feature

- Material Test Reports (MTRs) available

Material

- Fittings: 304 stainless steel standard (316L stainless steel optional)

Specifications

- Helium leakage testing to 1x10⁻⁸ Torr
- Maximum temperature: **302°F (150°C)**
- Standards followed: ASTM A270, ASTM A269, and ASME SA270

Part Number Key

Example: **DVF - C 050 G 1 Q**

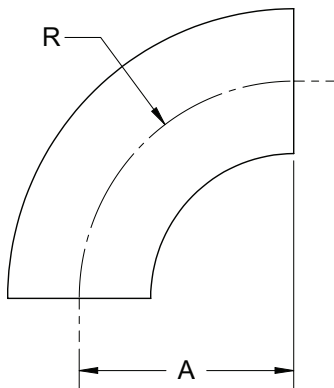
(1/2" 90° elbow, polished weld fitting, 304 stainless steel)

Product Line	-	Series	Size	Material	Finish	Type
DVF		A - KF B - ISO C - Fitting	050 - 1/2" 075 - 3/4" 100 - 1" 150 - 1-1/2" 200 - 2" 250 - 2-1/2" 300 - 3" 400 - 4" 600 - 6"	G - 304 stainless steel R - 316L stainless steel ¹	1 - polished 2 - bead blast ¹	Q - 90° elbow R - 90° elbow with tangents S - 45° elbow T - 45° elbow with tangents U - concentric reducer V - tee W - reducing tee

M

¹ Minimum quantity requirements apply.

Weld 90° Elbows



O.D.	A (in)	R (in)	304 Stainless Steel Part #
1/2"	0.75	0.75	DVF-C050G1Q
3/4"	1.00	1.00	DVF-C075G1Q
1"	1.50	1.50	DVF-C100G1Q
1-1/2"	2.25	2.25	DVF-C150G1Q
2"	3.00	3.00	DVF-C200G1Q
2-1/2"	3.75	3.75	DVF-C250G1Q
3"	4.50	4.50	DVF-C300G1Q
4"	6.00	6.00	DVF-C400G1Q
6"	9.00	9.00	DVF-C600G1Q