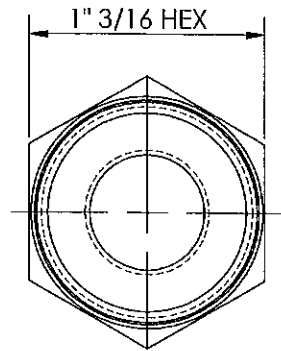
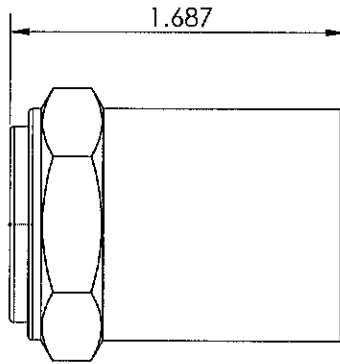
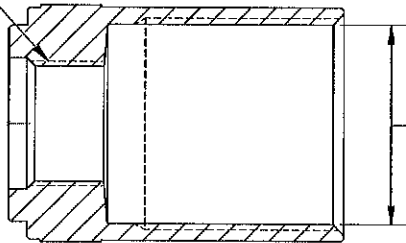


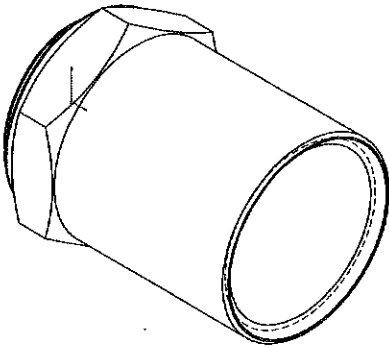
LINE DRAWING NOT FOR PRODUCTION PURPOSES



5/8 -18 UNF-2B
HOSE I.D. 1/2

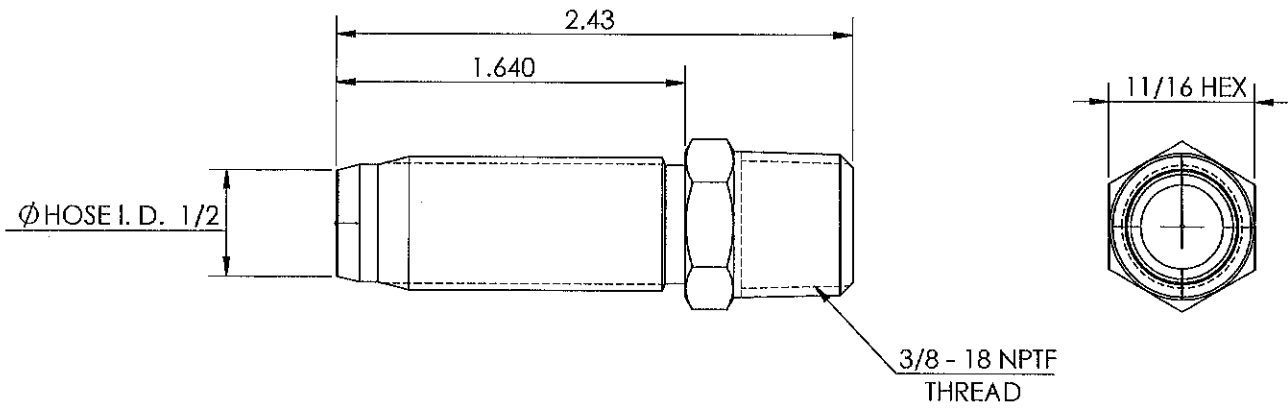


Ø HOSE O.D. 1"

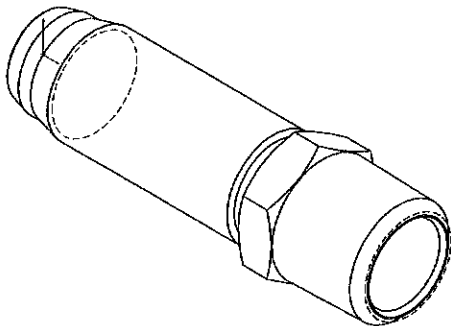
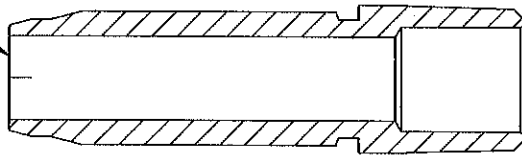



THIS DRAWING CONTAINS INFORMATION DEEMED PROPRIETARY TO DIXON BRASS AND IS TO BE USED ONLY FOR THE PURPOSE FOR WHICH IT IS SUBMITTED, AND FURTHER, SHALL NOT BE COPIED IN WHOLE OR IN PART WITHOUT EXPRESS WRITTEN PERMISSION FIRST OBTAINED FROM DIXON BRASS.			
UNLESS OTHERWISE SPECIFIED:			
DIXON The Flight Connection™		Dixon Brass Westmont, Illinois USA	
DRAWN P. MONAGHAN		DATE 4/20/15	
APPROVED		DATE	
DIMENSIONS ARE IN INCHES		ECO NO.	
TOLERANCES: ANGLES: ±0°30' .X (±.015) .XX (±.010) .XXX (±.005)		DRAWING NOT REPRODUCED TO SCALE	
DIMENSIONS PER ANSI Y14.5		TITLE: REUSABLE FERRULE	
SIZE A	DWG. NO. 1800816F	REV C	

LINE DRAWING NOT FOR PRODUCTION PURPOSES



THRU HOLE DIA. .390



THIS DRAWING CONTAINS INFORMATION DEEMED PROPRIETARY TO DIXON BRASS AND IS TO BE USED ONLY FOR THE PURPOSE FOR WHICH IT IS SUBMITTED, AND FURTHER, SHALL NOT BE COPIED IN WHOLE OR IN PART WITHOUT EXPRESS WRITTEN PERMISSION FIRST OBTAINED FROM DIXON BRASS.				
UNLESS OTHERWISE SPECIFIED:				
DIMENSIONS ARE IN INCHES		 Dixon Brass Westmont, Illinois USA	DRAWN	DATE
TOLERANCES:			P. MONAGHAN	4/28/15
ANGLES: ±0°30'		APPROVED	DATE	
.X (±.015)		ECO NO.		
.XX (±.010)		DRAWING NOT REPRODUCED TO SCALE		
.XXX (±.005)		TITLE: REUSABLE MALE STEM		
DIMENSIONS PER ANSI Y14.5		SIZE	REV	
		A	B	
		DWG. NO.	1820806S	