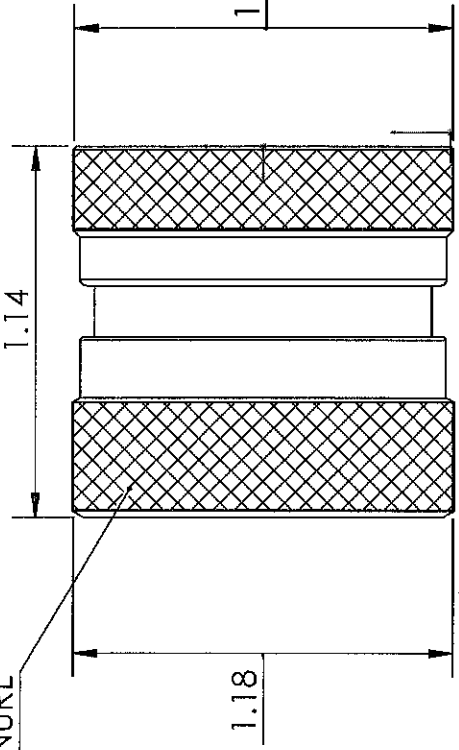
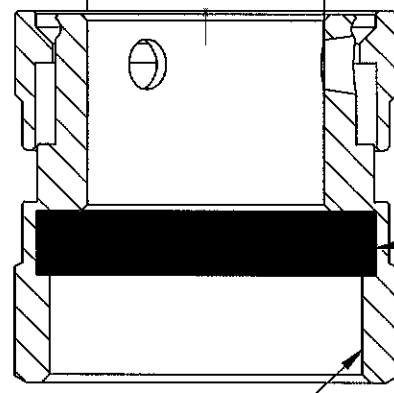


LINE DRAWING NOT FOR PRODUCTION PURPOSES

DIAMOND KNURL



3/4 1 1/2 NH
GARDEN HOSE THREAD

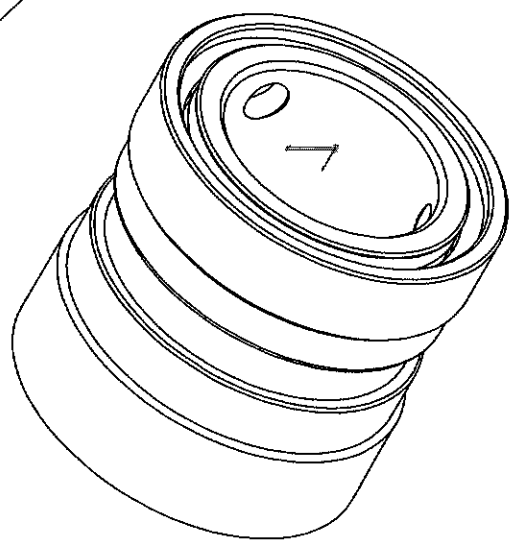
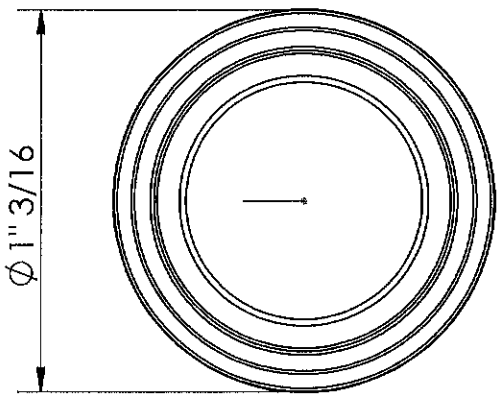


RUBBER GASKET

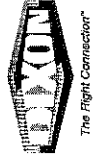
ϕ 47/64 THRU HOLE DIA

500QCFSS - 303SS Body/
302SS Spring/ 304SS Balls

304SS for Springs and Balls



This drawing is owned by Dixon Valves, Coupling Co. and shall be returned upon demand. It is loaned on condition that it shall not be copied or reproduced or submitted to others without the owners consent. In accepting it, subject to this condition, the recipient further agrees that this drawing or any design detail or concept disclosed herein shall not be used in any way detrimental to or in competition with the owner. If the recipient does not agree to the terms of this agreement they shall return this drawing immediately. The information contained in this drawing is subject to change without notice.

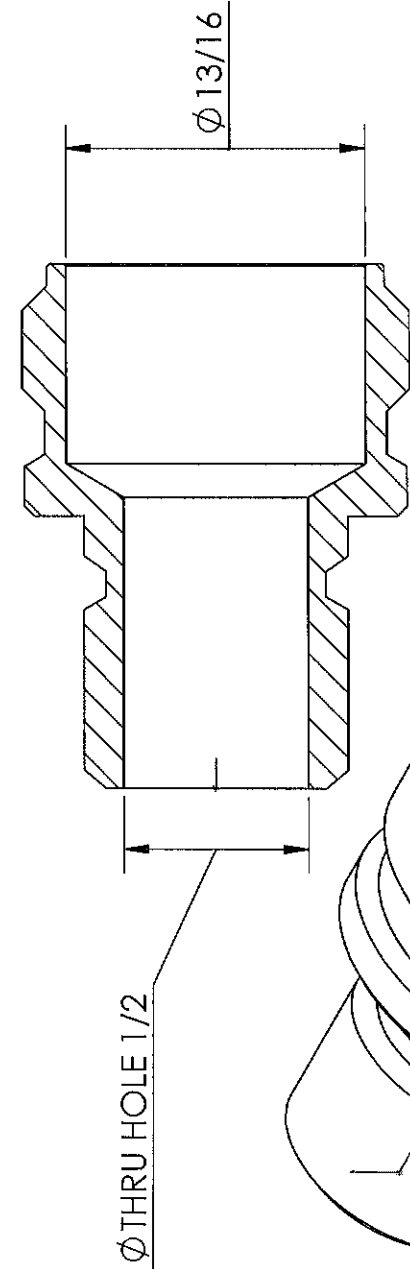
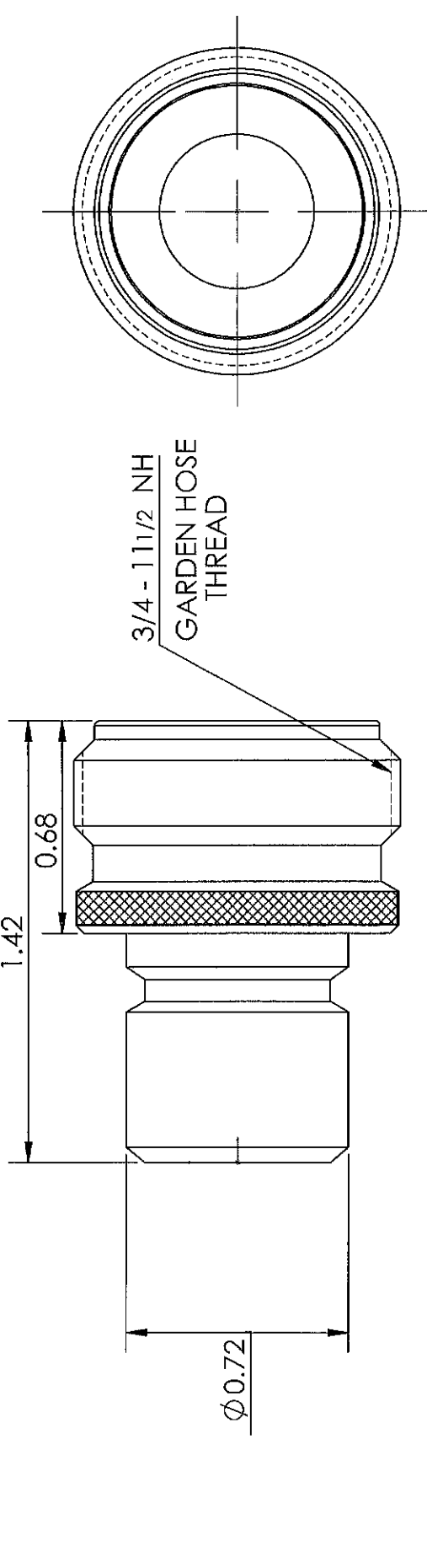


Dixon Brass
Westmont, Illinois USA

DRAWN	DATE
P. MONAGHAN	6/22/17
APPROVED	DATE
ECO NO.	

DO NOT SCALE THIS DRAWING	
SIZE	REV
A	A
DWG. NO. 500QCFSS	
TITLE: BODY	

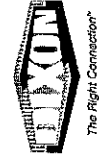
LINE DRAWING NOT FOR PRODUCTION PURPOSES



500QCMSS - 303SS

MATERIAL

This drawing is owned by Dixon Valves, Coupling Co. and shall be returned upon demand. It is loaned on condition that it shall not be copied or reproduced or submitted to others without the owners consent. In accepting it, subject to this condition, the recipient further agrees that this drawing or any design detail or concept disclosed herein shall not be used in any way detrimental to or in competition with the owner. If the recipient does not agree to the terms of this agreement they shall return this drawing immediately. The information contained in this drawing is subject to change without notice.



Dixon Brass
Westmont, Illinois USA

DRAWN	DATE
P. MONAGHAN	6/22/17
APPROVED	DATE
ECO NO.	

TITLE:	DO NOT SCALE THIS DRAWING	
	SIZE	DWG. NO.
MALE PLUG EXTENDED THREAD	A	500QCMSS
REV		A