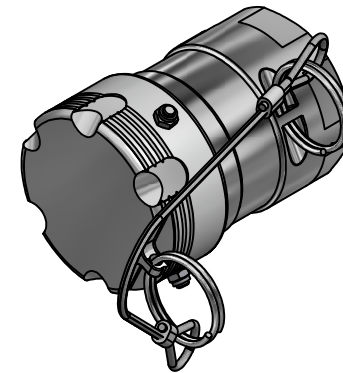
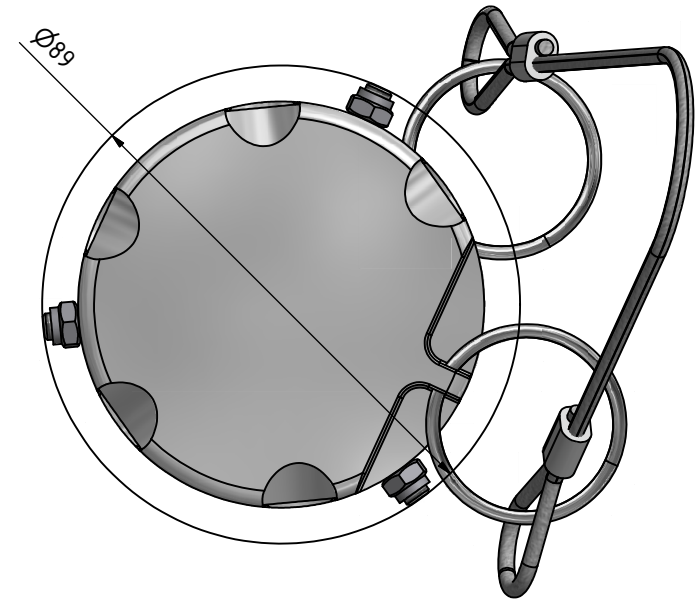
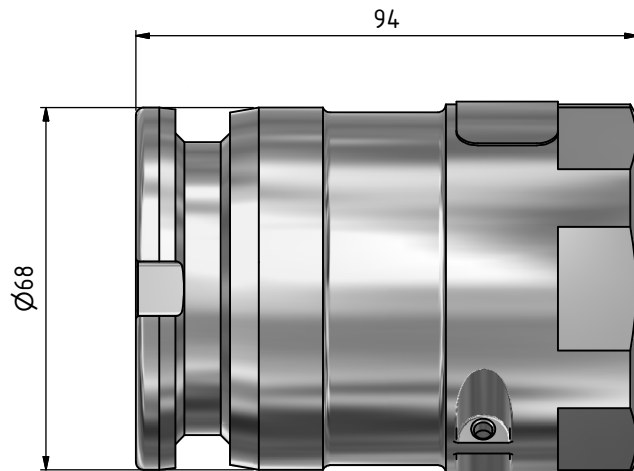
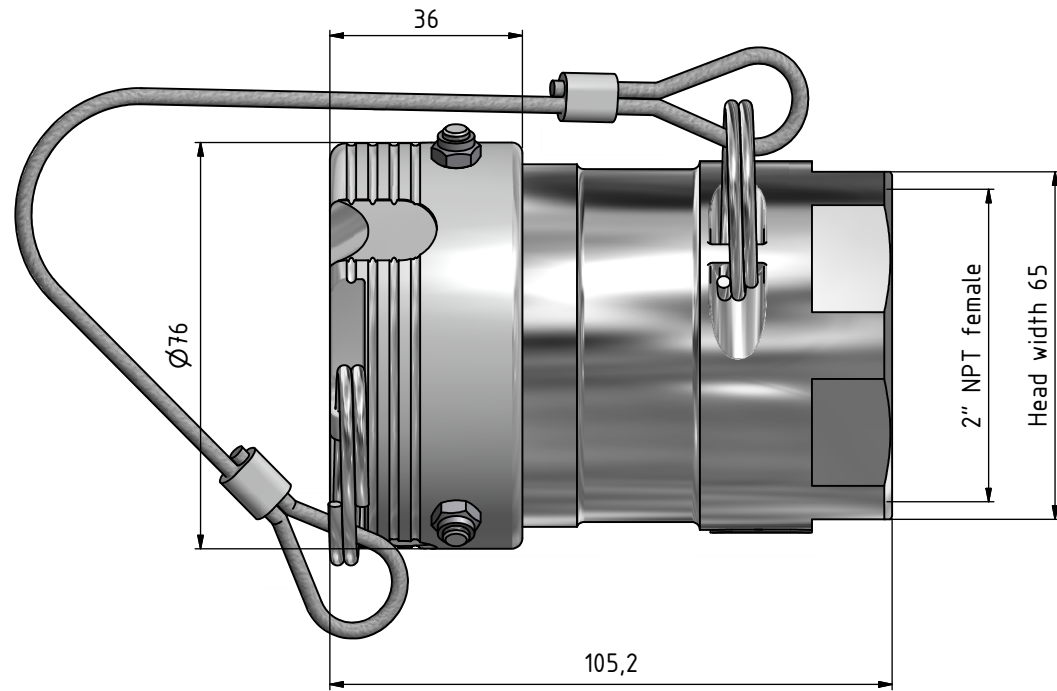


Notice. This drawing contains proprietary information and shall not be used or reproduced or its contents disclosed in whole or in part, without the prior written consent of the Mann Technik AB



Dimensions are in metric.

1,2 kg

Detail No:	Material	Ämne/Blank	Ytbeh./Treatment	Vikt/Weight
Mann T e h	Designed/drawn by G. Li	Scale: 1:1	Dimension with no tolerances acc to Machined SS-ISO 2768-1 medium Weld Forge SS-ISO 2768-1 coarse Surface roughness SS-ISO 1302 Form & position tol SS-ISO 2768-2-K	
	Checked G. Kopplin			
	Approved T. Mann	Date 2013-04-04		
Tank unit 2" DCC with cap Thread 2" NPT female			Data nr./Comp No. LC211A44	Blad/Sheet 1 / 1
			Drawing No.	Rev.
			LC211A44_1	

NO.	Revision comprises	Date	Sign.	Appr by