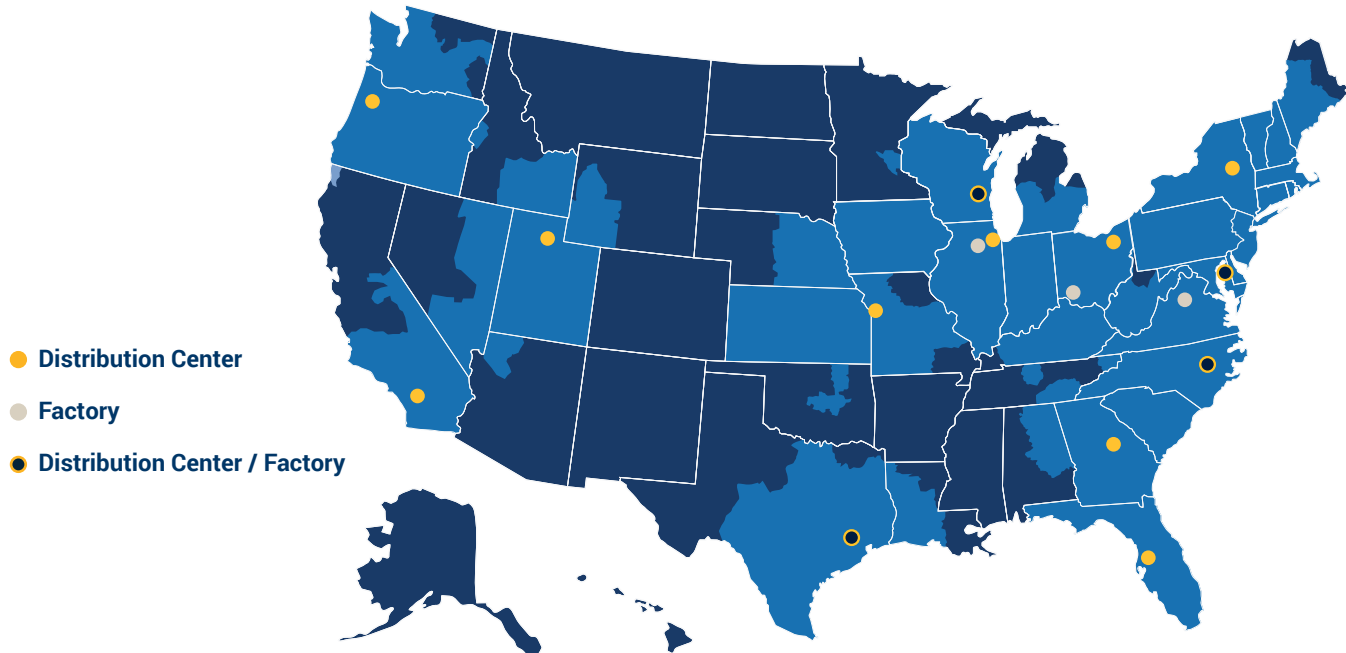


North American Manufacturing and Warehouse Locations



Factories:

Chestertown, MD • Cincinnati, OH • Dallas, NC • Houston, TX • Pewaukee, WI • Westmont, IL • Winchester, VA

Distribution Centers:

Chestertown, MD • Dallas, NC • Gloversville, NY • Houston, TX • Itasca, IL • Kansas City, MO • Peachtree City, GA • Pewaukee, WI • Portland, OR • Rancho Cucamonga, CA • Salt Lake City, UT • Tampa, FL • Twinsburg, OH

Terms

Net 30 Days

Cash Discounts

Invoice dated 1st to the 14th of the month are subject to a 1% discount if paid by the 25th of the month. Invoices dated the 15th to the end of the month are subject to a 1% discount if paid by the 10th of the following month.

Claims

All claims must be made within 10 days of receipt of merchandise.

Drop Ship Fees

Dixon will charge a flat fee of \$5.00 on all drop shipments less than \$100.

Minimum Order and Invoice

All orders for less than \$35.00 Net Value will be subject to a Minimum Net Charge of \$35.00 plus transportation.

Prepaid Freight Allowance

All shipments are FOB factory or branch and shipped collect unless otherwise specified. Orders totaling \$1,500.00 net value or more for immediate shipment to a single location within the continental United States will be shipped freight free. Any items back-ordered against the same order will also be shipped prepaid as they become available. Method of shipment will be the most economical means available to Dixon and does not include priority shipments such as air freight.

Returns

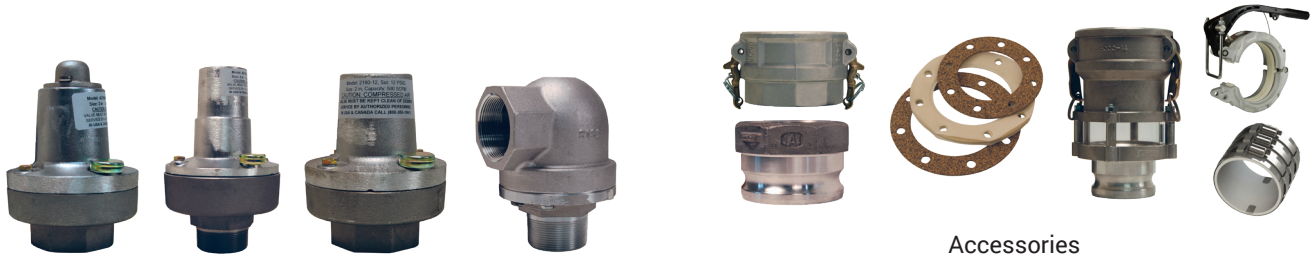
Material shipped as ordered may be returned only with Dixon's permission. A Credit Memo will be issued subject to a minimum 15% handling charge (using the distributor's net price in effect at the time of purchase). Total returns in 1 year cannot exceed 5% of the previous years purchases. Certain products are excluded from this general return policy; contact Dixon for information on specific products.

Prompt Payment

Orders receive preferred treatment when the account is paid promptly. Orders may be temporarily held if any unpaid invoice is over 30 days. We reserve the right to take out of the shipping and production schedules orders from accounts with unpaid invoices of 60 days or more.

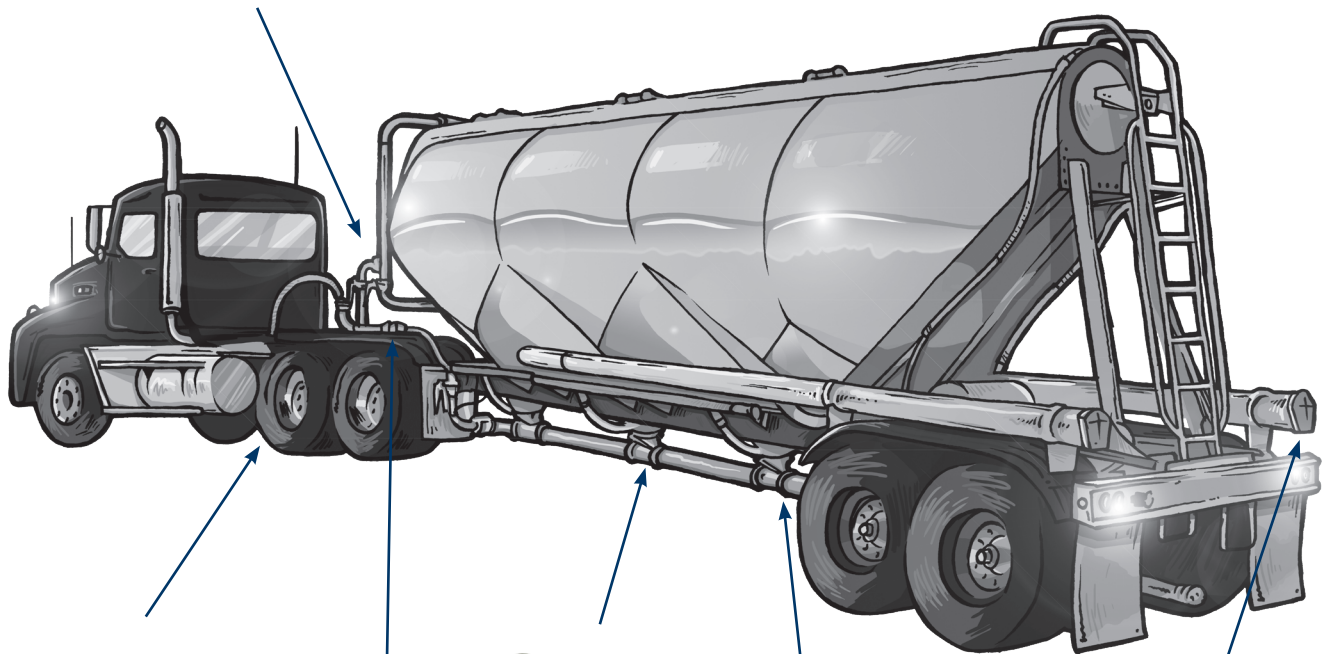
Dry Bulk Products.....	2-26	Replacement Parts	27-38
Air relief valve technical information	2	Blower air relief valves	27-30
Theory of operation	3	Trailer/tank truck mounted vacuum relief valves	30
Periodic inspection, cleaning and maintenance	3	Adjustable air relief valves	30
Blower air relief valves (2182-series)	4	Swing check valves	31-34
Trailer/tank mounted vacuum relief valves	5-9	Clump buster	35
PVC coated lanyards	5	Aluminum quick connect clamps.....	36
Adjustable pressure setting	6	Butterfly valves.....	37
Boss-Lock coupler	6	Hopper tees	38
Vacuum relief valves	7		
Air relief valve flow rates	8-9	Index	39-40
Products for blowers.....	10		
Blower mounted swing check/air relief manifolds	10		
TTMA flange adapters	11, 24		
Threaded flange adapters	11		
Flange dimensions	11		
Flange gaskets	11		
Swing check valves.....	12-13		
High Flow-series	12		
Classic 3000-series	13		
Pneuclean™ pneumatic filtration system	14		
Clump busters	15		
Cam & groove in-line sight glasses.....	15		
Grooved pipe connections	16-17		
Aluminum bolt clamps	16		
Aluminum quick connect clamps	17		
Pipe band clamps	17		
Butterfly valves.....	18-20		
One-piece (iron disk/black nitrile rubber seals)	18		
One-piece (stainless disk/white nitrile rubber seals)	19		
Composite	20		
Hopper tees.....	21		
Straight tees	21		
Bottom drop tees.....	21		
Disc fluidizers.....	22		
Hose tube doors.....	23		
Weldable flanges.....	24		
Reducing flange adapters	24		
Cam & groove	25-26		
Coupling x TTMA flange.....	25		
Coupling with straight thread (NSPM)	26		

Dixon Bayco® brand dry bulk products are designed for use with bulk trailers and truck blowers for the pneumatic transfer of dry bulk commodities such as powders, grains, and plastic pellets. Other industrial applications are possible where pneumatic control of air or dry products is required.



Air and Vacuum Relief Valves

Accessories



Pnuclean™ Filter Systems



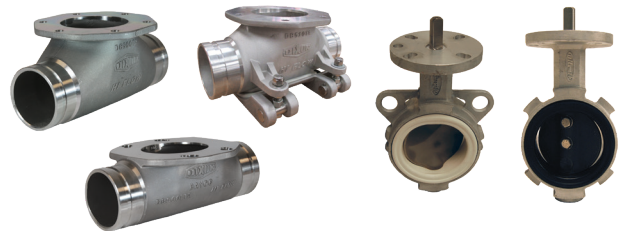
Fluidizers



Tube Doors



Swing Check Valves



Butterfly Valves and Hopper Tees

Theory of Operation

All Dixon Bayco[®] air relief valves are spring-loaded system-pressure actuated devices consisting of a valve disc held in a closed position against a valve seat by means of a spring. The pressure in the system to be protected acts on the valve disc and tends to open the valve; however, the spring load is set to ensure that at normal operating pressures, the pressure in the system is insufficient to open the valve. However, when the system pressure builds to a level where the pressure load on the valve disc is equal or near to the load exerted by the spring, the valve will begin to open. If the pressure in the system were to be held at this level, the load due to system pressure and the spring load would remain in equilibrium and the valve would be neither opened nor closed. In such circumstances the valve will tend to flutter on the valve seat and may release a small amount of air but will not be relieving significant pressure from the system. This point is known as the warning pressure, cracking pressure or hissing pressure.

If the pressure in the system continues to rise, the load acting on the face of the valve will also rise and will begin to exceed the load exerted by the spring. When the load due to system pressure exceeds the spring load, the valve will open and will remain open as long as the system pressure remains sufficient. This point is known as the opening pressure or set pressure (also referred to as rated or popping pressure). The difference between the crack pressure and opening pressure varies between valves and is related to the system flow rate. However, the two should not be confused as there is a significant difference in pressure between the two points.

If the system pressure continues to rise, the valve will continue to open and will relieve more and more air until the valve is fully open. At this point the valve will be relieving close to its maximum airflow rate; further increase in system pressure will show only relatively minor increases in flow rate. If the system pressure decreases, the relieving airflow rate will reduce and the valve will start to close. However, the valve will not fully re-seat until the pressure is below the opening pressure. This pressure is known as the Reseating Pressure and the difference between the two pressures is known as "blowdown".

In practice the valve should be matched to the system to be protected such that the maximum airflow rate of the valve is never utilized, i.e. the valve should be capable of relieving a sufficient volume flow rate of air at the opening pressure to ensure that the system pressure drops significantly. If the valve is open and the system pressure continues to rise above the opening pressure then the valve is relieving less air than is being put into the system. This is a potentially dangerous situation that may lead to over pressurization. The relieving airflow rate of an air relief valve at the maximum allowable system pressure, and ideally at the opening pressure, should be well in excess of the system input flow rate at that same pressure.

Periodic Inspection, Cleaning and Maintenance

Dixon Bayco air relief valves are designed and built to provide accurate and consistent operation; however periodic inspection, cleaning, and maintenance of these valves is required to ensure continued trouble-free service.

Dixon Bayco air relief valves consist of a spring-loaded poppet valve that seals against a rigid annular valve seat. When the system pressure reaches the valve opening pressure, the poppet lifts and system air passes under the poppet and out to atmosphere. When a sufficient volume of air has been relieved, the system pressure will drop and the poppet will re-seat.

When these valves are used in applications that subject them to particulate laden air, there is potential for contamination of the valve. Larger particles such as grains, plastic pellets etc. can get trapped between the valve seating surfaces. Applications involving fine particles such as cement, fly ash, lime, flour etc. can result in a cementing of hardened product on the valve seat or poppet surface. These situations can prevent the valve from fully re-seating, prevent it from opening and can lead to early opening or leakage from the valve.

To prevent this from occurring we advise that air/vacuum relief valves be regularly inspected, cleaned and maintained. At a minimum the valve seat and poppet sealing surface should be inspected and cleaned, and the small air vent hole in the top casting checked for blockage. The inspection, cleaning, and maintenance should be carried out with the valve removed from the system, and in a clean environment.

All relief valves are available with threaded connections. In addition 2180, A2180, and A2182-series air relief valves are available with cam & groove adapter or grooved pipe connections. These types of connections make removal and installation of the valves much easier to allow for inspections, cleaning and maintenance.



Before servicing or removing any component from the pneumatic system, the blower must be turned off and all residual air released from the system.

Blower Air Relief Valves

Applications

- Designed specifically for use on tractor mounted air blowers. The 2182-series air relief valves have a temperature compensated pressure relief setting to accommodate the high temperatures and dynamic air produced by the blower. If a system blockage were to occur, the valves are designed to vent to atmosphere once the valve pressure setting is achieved.

Features

- The popular pressure setting for truck mounted blowers is **20 PSI**. Valves are available for other applications with temperature compensated pressure settings of between **5 PSI** and **25 PSI**. Customer should request set pressure at time of order
- High relieving capacity varies between 800 SCFM and 1700 SCFM depending upon the chosen set pressure; for specific relief rates please refer to our graphs on pages 8 and 9 or contact Dixon® at 513.874.8499
- Installed cup seal deters tampering
- Anodized aluminum body reduces thread galling

Materials

- Aluminum anodized hard coat body, white food grade silicone poppet and diaphragm

Specifications

- Set pressure calibrated at a temperature of **400°F (204°C)**
- Available in 2" male NPT, 2" female NPT, and 2" cam & groove adapter
- Tolerances: -0/+4



2182F



2182B



2182

Part #	Connection
2182/15	2" NPT male air relief valve, 15 PSI setting
2182/18	2" NPT male air relief valve, 18 PSI setting
2182/20	2" NPT male air relief valve, 20 PSI setting
2182/XX	2" NPT male air relief valve set to your custom setting from 5 PSI to 25 PSI
2182F/15	2" NPT female air relief valve, 15 PSI
2182F/18	2" NPT female air relief valve, 18 PSI
2182F/20	2" NPT female air relief valve, 20 PSI
2182F/XX	2" NPT female air relief valve set to your custom setting from 5 PSI to 25 PSI
2182B/15	2" air relief with 2" cam & groove adapter bottom, 15 PSI setting
2182B/18	2" air relief with 2" cam & groove adapter bottom, 18 PSI setting
2182B/20	2" air relief with 2" cam & groove adapter bottom, 20 PSI setting
2182B/XX	2" air relief with 2" cam & groove adapter bottom set to your custom setting from 5 PSI to 25 PSI

NOTE: Available factory set pressure ranges offered from **5 PSI** to **25 PSI**

The XX in the part number reflects the pressure setting you are requesting the factory to set the air relief valve at

Trailer Relief Valves

Applications

- Designed specifically for fixed pressure setting use on trailer tanks containing dry bulk products. If a system blockage were to occur the valves are designed to vent to atmosphere once the valve pressure setting is achieved. Not intended for blower service (for blower service applications see the 2182-series air relief valves shown on page 4).



Features

- Available with a variety of pressure settings, see chart below for model specific available pressure settings. Customer should request set pressure at time of order.
- Installed cup seal deters tampering
- Bayloy body helps prevent thread galling
- PVC coated wire lanyard available for securing air relief valves with cam & groove adapter or groove pipe connections

Materials

- Bayloy vent cowl with aluminum upper, bronze poppet with white food grade silicone diaphragm in the 2180, red silicone diaphragm in the 3180

Specifications

- 2180 are available with 2" male or female NPT, cam & groove adapter, or grooved pipe connections
- 3180 are available only with 3" female NPT connections
- 2180-series tolerances: -0/+3



2180



2180B/15



2180V/15



3180

Valve Series	Valve Connection	Diaphragm Material	Relieving Capacity (SCFM)
2180/15	2" NPT female air relief valve, 15 PSI setting	white food grade silicone	500-950
2180/18	2" NPT female air relief valve, 18 PSI setting		
2180/20	2" NPT female air relief valve, 20 PSI setting		
2180/XX	2" NPT female air relief valve set to your custom setting from 5 PSI to 25 PSI		
2180B/15	2" air relief with 2" cam & groove adapter bottom, 15 PSI setting		
2180B/18	2" air relief with 2" cam & groove adapter bottom, 18 PSI setting		
2180B/20	2" air relief with 2" cam & groove adapter bottom, 20 PSI Setting		
2180B/XX	2" air relief with 2" cam & groove adapter bottom set to your custom setting from 5 PSI to 25 PSI		
2180V/15	2" air relief with 2" grooved bottom, 15 PSI setting		
2180V/18	2" air relief with 2" grooved bottom, 18 PSI setting		
2180V/20	2" air relief with 2" grooved bottom, 20 PSI setting	red silicone	750-1500
2180V/XX	2" air relief with 2" grooved bottom set to your custom setting from 5 PSI to 25 PSI		
3180/15	3" NPT female air relief valve, 15 PSI setting		
3180/18	3" NPT female air relief valve, 18 PSI setting		
3180/20	3" NPT female air relief valve, 20 PSI setting		
3180/XX	3" NPT female air relief valve set to your custom setting from 5 PSI to 25 PSI		

NOTE: 2180 series available factory set pressure ranges offered from **5 PSI to 25 PSI**

3180 series available factory set pressure ranges offered from **5 PSI to 30 PSI**

The XX in the part number reflects the pressure setting you are requesting the factory to set the air relief valve at relieving capacity (SCFM) varies with set pressure, for specific rates please contact Dixon® at 513.874.8499

PVC Coated Lanyards



CAL15

Application


- The PVC lanyard is used to help secure cam & groove pressure relief valves

Part #	Description
CAL15	15" long PVC coated carbon steel cable, with aluminum crimp sleeves. One end is factory crimped, other end is un-crimped for field inspection.
CAL25	25" long PVC coated carbon steel cable, with aluminum crimp sleeves. One end is factory crimped, other end is un-crimped for field inspection.

Product instruction sheets and technical data, can be viewed at dixonvalve.com

Trailer/Tank Mounted Adjustable Air Relief Valves

Applications

- Designed specifically for use on trailer tanks containing dry bulk products. If a system blockage were to occur, the valves are designed to vent the atmosphere once the valve pressure setting is achieved. The advantage of the adjustable air relief valve is that the factory preset pressure can be tuned by **-3/+3 PSI** to meet tank/application specific pressure requirements (adjustments should be performed by either the tank builder or tank maintenance facility)
- Not intended for blower service (for blower service applications see the 2182-series air relief valves shown on page 4)
- Not rated for ASME Coded Service Requirements 

Features

- Available with a variety of pressure settings, see chart below for model specific available pressure settings. Customer should request set pressure at time of order
- Factory preset pressure can be tuned by **-3/+3 PSI** to meet tank/application specific pressure requirements (adjustments should be performed by either the tank builder or tank maintenance facility)
- Installed cup seal deters tampering
- Bayloy body helps prevent thread galling

Materials

- Bayloy vent cowl with aluminum upper, bronze poppet with white food grade silicone in the 2180, red silicone in the 3180-series

Specifications

- Valves have a -0/+1 set pressure tolerance (valve opens at set pressure plus **1 PSI**) and are adjustable by **-3/+3 PSI**
- A2180ADJ has a 2" female NPT and A3180ADJ has a 3" female NPT connection



A2180-XXADJ



A3180-XXADJ

Valve Series	Valve Connection	Diaphragm Material	Relieving Capacity (SCFM)
A2180/15ADJ	2" NPT female adjustable air relief valve, 15 PSI setting	white food grade silicone	500-950
A2180/18ADJ	2" NPT female adjustable air relief valve, 18 PSI setting		
A2180/20ADJ	2" NPT female adjustable air relief valve, 20 PSI setting		
A2180/XXADJ	2" NPT female adjustable air relief valve set to your custom setting from 9 PSI to 25 PSI		
A3180/15ADJ	3" NPT female adjustable air relief valve, 15 PSI setting	red silicone	750-1500
A3180/18ADJ	3" NPT female adjustable air relief valve, 18 PSI setting		
A3180/20ADJ	3" NPT female adjustable air relief valve, 20 PSI setting		
A3180/XXADJ	3" NPT female adjustable air relief valve set to your custom setting from 5 PSI to 25 PSI		

NOTE: A2180 adjustable series available factory set pressure ranges offered from **9 PSI to 30 PSI**

A3180 adjustable series available factory set pressure ranges offered from **9 PSI to 30 PSI**

The XX in the part number reflects the pressure setting you are requesting the factory to set the air relief valve at relieving capacity (SCFM) varies with set pressure, for specific rates please contact Dixon® at 513.874.8499

Boss-Lock Coupler x Tube with 45° Cut

Application

- For use on trailer relief valves

Features

- Butt weld tubing
- Nitrile rubber gaskets standard, other gaskets available
- All Boss-Lock couplers are supplied with pull-ring safety clips

Material

- 356T6 aluminum



Part #	Description
AC200TUBE	2" Boss-Lock coupler x tube with 45° cut

Product instruction sheets and technical data, can be viewed at dixonvalve.com

Vacuum Relief Valves

Applications

- Designed specifically for use on trailer tanks containing dry bulk products. If a system blockage were to occur the valve is designed to open to atmosphere to help prevent the tank from imploding.

Features

- Available with a variety of vacuum settings, see chart below for model specific available pressure settings. Customer should request set pressure at time of order.
- Installed bolt seal deters tampering
- Bayloy body helps prevent thread galling

Materials

- Bayloy body and bronze poppet

Specifications

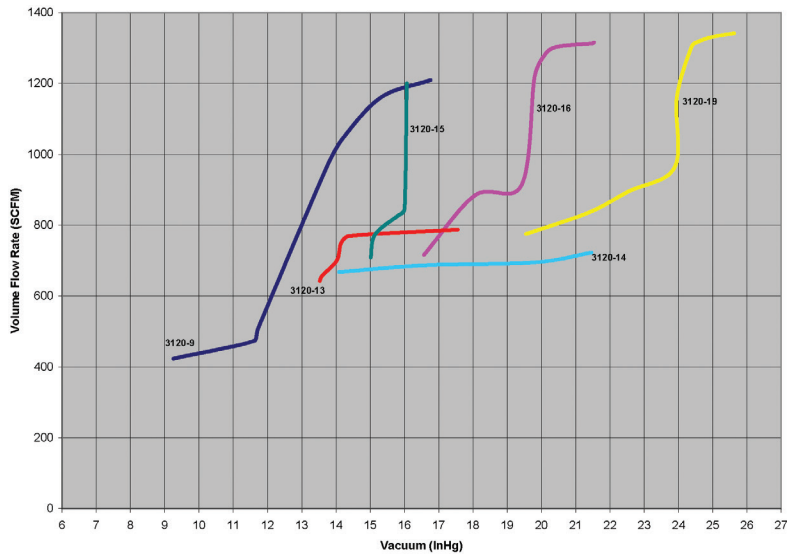
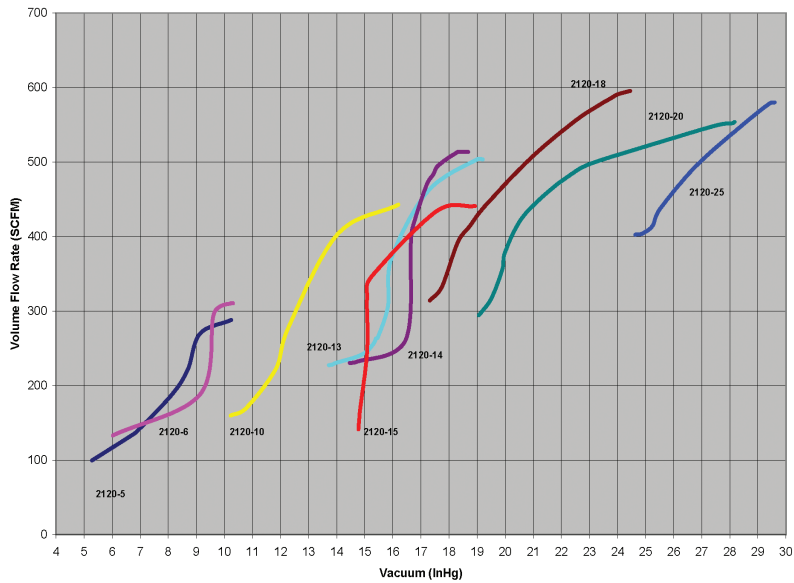
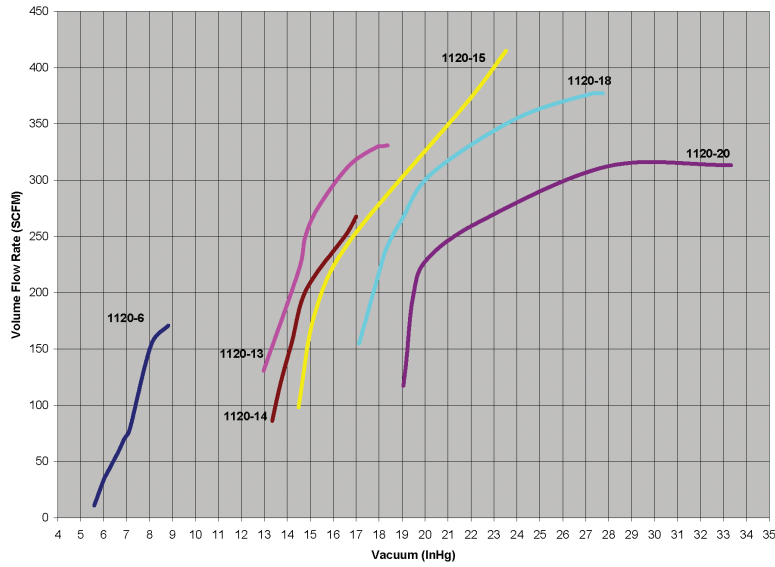
- These valves come with a set vacuum tolerance of +/-0.5 HG, available in 3 body sizes:
 - 1-1/2" male NPT outlet (tank connection) x 1-1/2" female NPT inlet (atmosphere)
 - 2" male NPT outlet (atmosphere) x 2" female NPT inlet (tank connection)
 - 3" female NPT outlet (tank connection) x 3" female NPT inlet (atmosphere)



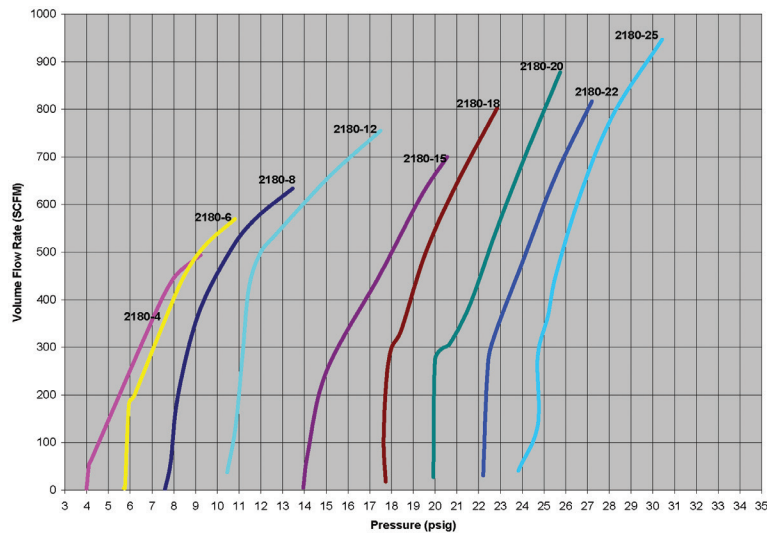
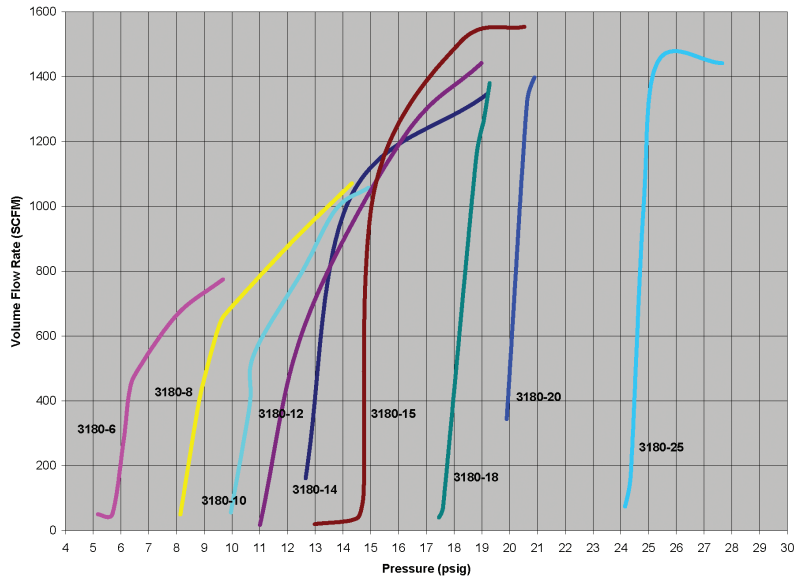
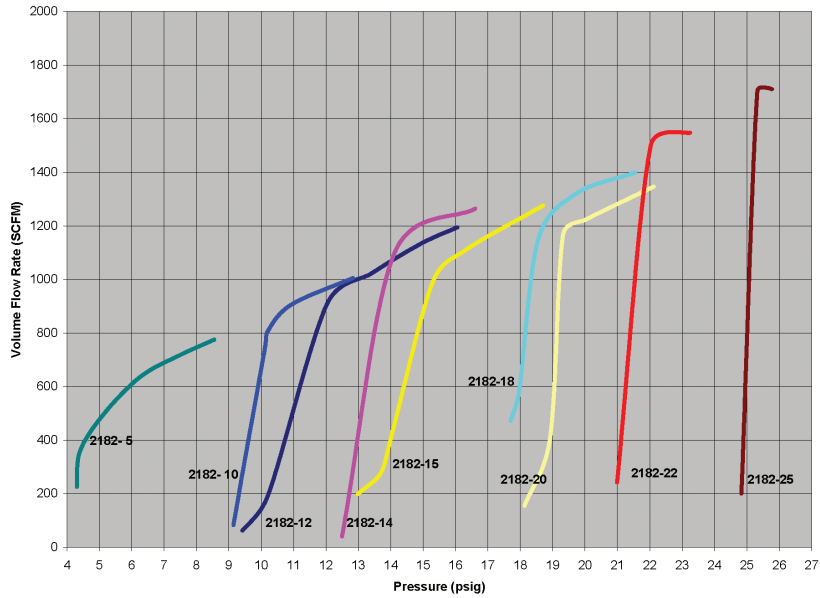
Valve Series	Valve Outlet (Tank Connection)	Valve Inlet (Atmosphere Connection)	Relieving Capacity (SCFM)
1120/15	1-1/2" NPT female vacuum relief valve, 15 Hg	1-1/2" male NPT inlet	175-420
1120/18	1-1/2" NPT female vacuum relief valve, 18 Hg		
1120/20	1-1/2" NPT female vacuum relief valve, 20 Hg		
1120/XX	1-1/2" female NPT vacuum relief valve set to your custom setting 6 Hg to 24 Hg		
2120/15	2" NPT female vacuum relief valve, 15 Hg	2" male NPT inlet	280-600
2120/18	2" NPT female vacuum relief valve, 18 Hg		
2120/20	2" NPT female vacuum relief valve, 20 Hg		
2120/XX	2" female NPT vacuum relief valve set to your custom setting 5 Hg to 24 Hg		
3120/15	3" NPT female vacuum relief valve, 15 Hg	3" female NPT inlet	700-1350
3120/18	3" NPT female vacuum relief valve, 18 Hg		
3120/20	3" NPT female vacuum relief valve, 20 Hg		
3120/XX	3" female NPT vacuum relief valve set to your custom setting 11 Hg to 25 Hg		
3120ADJ/XX	3" female NPT adjustable vacuum relief valve set to your custom setting 14 Hg to 22 Hg		

NOTE: 1120 series set pressure tolerance (PSI) +/-1.5 Hg - factory set vacuum ranges offered from 6 Hg to 24 Hg
 2120 series set pressure tolerance (PSI) +/-1.5 Hg - factory set vacuum ranges offered from 5 Hg to 24 Hg
 3120 series set pressure tolerance (PSI) +/-1.5 Hg adjustable series available factory set pressure ranges offered from 14 Hg to 22 Hg
 The XX in the part number reflects the vacuum setting you are requesting the factory to set the valve at relieving capacity (SCFM) varies with set pressure, for specific rates please contact Dixon® at 513.874.8499.

Air Relief Valves Flow Rate vs Vacuum



Air Relief Valves Flow Rate vs Pressure



Swing Check / Air Relief Manifold



3090MADC-82/18



3090MA

Applications

- Designed specifically for use on tractor mounted air blowers and to replace the multiple pipe connections typically used to connect the blower to a swing check and air relief valve

Features

- Compact unit includes high flow swing check, port for air relief valve, and inlet/outlet ports
- Fastens directly to blower using available TTMA thread adapters
- 2" FNPT port for air relief valve
- Interchangeable inlet/outlet ports in 3" and 4" cam & groove and 4" female NPT

Materials

- Aluminum body, silicone flapper and lid seal **400°F (204°C)**, stainless hardware

Specifications

- Manufactured with a 4" TTMA flange connection for fastening directly to the blower
- All white EPDM and silicone seals are FDA compliant

Part #	Description	Manifold Outlet Connection	Overall Length	Weight
3090F	swing check manifold with white silicone spring loaded flapper	4" female NPT	11-1/2"	8.7
3090M		not included	9-5/8"	6.2
3090MS	swing check manifold with white silicone spring loaded flapper and security seal	not included	9-5/8"	6.6
3090MA	swing check manifold with white silicone spring loaded flapper	3" cam & groove adapter	12-1/2"	7.5
3090MA-DC	swing check manifold with white silicone spring loaded flapper with dust cap and chain	3" cam & groove adapter	14-1/2"	8.6
3090MADC-82/18	swing check manifold with white silicone spring loaded flapper with dust cap and chain, with 2182/18 air relief valve	3" cam & groove adapter	20-1/16'	16.45
3090MADC-82/20	swing check manifold with white silicone spring loaded flapper with dust cap and chain, with 2182/20 air relief valve	3" cam & groove adapter	20-1/16'	16.45
3090MAS	swing check manifold with white silicone spring loaded flapper and security kit installed	3" cam & groove adapter	12-1/2"	7.9
3090MB	swing check manifold with white silicone spring loaded flapper	4" cam & groove adapter	12-1/2"	7.6
3090MBS	swing check manifold with white silicone spring loaded flapper and security kit installed	4" cam & groove adapter	12-1/2"	8.1
3091MA	swing check manifold with metal spring loaded flapper	3" cam & groove adapter	12-1/2"	7.4
3091MB		4" cam & groove adapter	12-1/2"	7.5
3091MBS	swing check manifold with metal spring loaded flapper and security kit installed	4" cam & groove adapter	12-1/2"	7.6

Swing Check Manifold Inlets / Outlets and Repair Kits

Part #	Description
6000-16	3" cam & groove adapter manifold outlet, requires one 3090RK1 O-ring kit
6000-17	4" cam & groove adapter manifold outlet, requires one 3090RK1 O-ring kit
6000-20	4" female NPT manifold outlet, requires one 3090RK1 O-ring kit
3090RK1	O-ring for 3090MA & 3090MB
3090RK2	flapper and lid repair kit for 30900M manifold and 3030 swing check
TTF4AL-3EMT	3" male NPT blower to manifold inlet adapter, requires 4" TTMA gasket
TTF4AL-4EMT	4" male NPT blower to manifold inlet adapter, requires 4" TTMA gasket

NOTE: See page 28 for repair kits and replacement parts

Product instruction sheets and technical data, can be viewed at dixonvalve.com

TTMA Flange Adapters and Flange Gaskets

Applications

- Provides a simple and easy way to convert threaded components to standard TTMA flange configurations
- TTMA flange adapters have a round TTMA flange on one end with either a male or female NPT thread on the other

Features

- Solid cast aluminum is more durable than welded fabrications
- Compact size reduces the overall space needed for installation
- 3" or 4" round TTMA flange pattern with either 3" or 4" male or female NPT
- Machined one-piece casting

Material

- Aluminum

Specifications

- Rated to **100 PSI**
- Flange connections are manufactured to connect with the Tank Truck Manufacturers Association (TTMA) flange pattern, see below for flange dimensions

Part #	Description
TTF3AL-3MT	3" TTMA flange x 3" male NPT, 2-1/2" overall length
TTF4AL-3MT	4" TTMA flange x 3" male NPT, 2-1/2" overall length
TTF4ALHC-3MT	4" TTMA flange x 3" male NPT, 2-1/2" overall length, hardcoated
TTF4AL-3EMT	4" TTMA flange x 3" male NPT, 5-1/2" overall length
TTF4AL-3FT	4" TTMA flange x 3" female NPT, 2-1/2" overall length
TTF4AL-4MT	4" TTMA flange x 4" male NPT, 2-1/2" overall length
TTF4ALHC-4MT	4" TTMA flange x 4" male NPT, 2-1/2" overall length, hardcoated
TTF4AL-4EMT	4" TTMA flange x 4" male NPT, 5-1/2" overall length
TTF4AL-4FT	4" TTMA flange x 4" female NPT, 2-1/2" overall length



TTF4AL-4FT



TTF4AL-3EMT



TTF4AL-4MT

Flange Gaskets

Application

- Creates a leak-tight connection between two bolted together flange faces

Materials

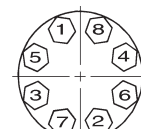
- PTFE, Klingersil®, or Cork/nitrile rubber

Specifications

- TTMA flange gaskets are manufactured to seal with flanges produced to the 3" or 4" Tank Truck Manufacturers Association (TTMA) flange pattern
- Temperature ratings: Cork/nitrile rubber -20°F (-29°C) to 250°F (121°C), Klingersil nylon -50°F (-45°C) to 400°F (204°C), PTFE with soft fiber core -40°F (-40°C) to 500°F (260°C), White EPDM -40°F (-40°C) to 250°F (121°C)

Round TTMA Flange Gaskets

Part #	Size	Description	O.D.	I.D.	Thickness	Bolt Circle
300GTTFCB	3"	TTMA-cork/nitrile rubber	5-5/8"	3-1/2"	1/8"	4-7/8"
300GTTFTK		PTFE envelope with Klingersil filler			1/16"	
300GTTFK		Klingersil nylon			1/8"	
40321TF		TTMA-PTFE with soft fiber core			3/32"	
400GTTFCB	4"	TTMA-cork/nitrile rubber	6-5/8"	4-9/16"	1/8"	5-7/8"
400GTTFTK		PTFE envelope with Klingersil filler			1/16"	
400GTTFK		Klingersil nylon			1/8"	
40322TF		TTMA-PTFE with soft fiber core			3/32"	



8 bolt



12 bolt

Square TTMA Flange Gaskets

Part #	Size	Description	O.D.	I.D.	Thickness	Bolt Circle
300GDBSQCB	3"	square TTMA-cork/nitrile rubber	4-1/2"	3-4/8"	1/8"	---
300GDBSQK		square TTMA-Klingersil nylon		3-3/8"	1/16"	---
300GDBSQE		square TTMA-white EPDM		3-3/8"	1/8"	---

Round TTMA Flange Dimensions


Nominal Pipe Size	Flange OD	Aluminum Flange Thickness	Diameter of Bolt Circle	Number of Bolts	Diameter of Bolt Holes	Diameter of Bolts Used
3"	5-5/8"	3/8"	4-7/8"	8	7/16"	3/8"
4"	6-5/8"		5-7/8"	8		
6"	8-7/8"		8-1/8"	12		

Bayco® High Flow-Series

Applications

- Often used on both the blower and trailer, designed to prevent product backflow if a product line should become plugged

Features

- Choice of seals: metal-to-metal, nitrile rubber or silicone
- Choice of connections female NPT, round TTMA flange or square TTMA flange
- Flapper return springs are standard
- Huck bolted flapper assembly prevents loose parts from contaminating the product
- Inspection lids can be removed to facilitate routine flapper assembly inspections (system must not be in service during inspections or repair) 
- Complete repairs can easily be carried out on all high flow swing check valves without removing from the tank
- When in use the flapper can swing completely out of the air path, resulting in improved air flow and subsequently increased product flow

Materials

- Aluminum body and inspection lid, stainless steel hardware, metal-to-metal, EPDM 250°F (121°C) or silicone seals 400°F (204°C) are available (seal availability is dependent upon the model, see chart below for more information)

Specifications

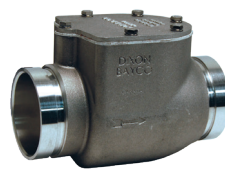
- Bayco High Flow-series swing check valves have 2", 3" or 4" connection choices: female NPT, round TTMA flange or square TTMA flange. All white EPDM and silicone seals are FDA compliant



3030SQ-SSP



3031TE



3031VIC



4040RD

Female NPT

Part #	Connection Type	Seal Type	Flapper Return Springs?	Overall Length
3020TE	2" female NPT both ends	white EPDM seal	yes	5-1/8"
3030TE-SSP	3" female NPT both ends	white silicone seal	yes	7-1/8"
3031TE		metal-to-metal seal		
4040TE	4" female NPT both ends	white EPDM seal	yes	9"
4041TE		metal-to-metal seal		
4042TE		white silicone seal		

Square TTMA Flange

Part #	Connection Type	Seal Type	Flapper Return Springs?	Overall Length
3020SQ	2" square TTMA flange	white EPDM seal	yes	5-1/8"
3030SQ-SSP	3" square TTMA flange	white silicone seal	yes	6-7/8"
3031SQ		metal-to-metal seal		

Round TTMA Flange

Part #	Connection Type	Seal Type	Flapper Return Springs?	Overall Length
3030RD-SSP	3" round TTMA flange	white silicone seal	yes	6-7/8"
3031RD		metal-to-metal seal		
4040RD	4" round TTMA flange	white EPDM seal	yes	9"
4041RD		metal-to-metal seal		
4042RD		white silicone seal		

Grooved Pipe

Part #	Connection Type	Seal Type	Flapper Return Springs?	Overall Length
3030VIC-SSP	3" grooved end both ends	white silicone seal	yes	8"
3031VIC		metal-to-metal seal		


Product instruction sheets and technical data, can be viewed at dixonvalve.com

Bayco® Classic 3000-Series

Application

- The classic 3000-series swing check valves are often used on both the blower and trailer

Features

- Choice of seals: metal-to-metal, nitrile rubber, or silicone
- Choice of connections female NPT, round TTMA flange, or square TTMA flange
- Available with or without flapper return springs
- Huck bolted flapper assembly prevents loose parts from contaminating the product
- Inspection lids can be removed to facilitate routine flapper assembly inspections (system must not be in service during inspections or repair) 
- Limited repairs can be carried out on both threaded and square flanged units without removing from the tank, round flange units must be removed from the tank to facilitate repairs
- For swing check valves that can be completely repaired on the tank see the Bayco High Flow 3030-Series on page 12

Materials

- Aluminum body, Bayloy inspection caps and flapper valve assembly. Nitrile rubber **250°F (121°C)** or silicone seals **400°F (204°C)** are optional.

Specification

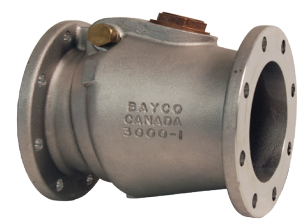
- All Bayco 3000-series swing check valves 3" connection are available in: female NPT, round TTMA flange, or square TTMA flange



3000TE



3001SQ-N



3000-N

Part #	Connection Type	Seal Type	Flapper Return Springs	Overall Length
3000TE	3" female NPT both ends	metal-to-metal seal	no	7-1/8"
3000TE-SP			yes	
3000TE-B		black nitrile rubber seal	no	
3000TE-BSP			yes	
3000TE-S		white silicone seal	no	
3000TE-SSP			yes	
3001SQ-N	3" square TTMA flange	metal-to-metal seal	no	6-7/8"
3001SQ-SP			yes	
3001SQ-B		black nitrile rubber seal	no	
3001SQ-BSP			yes	
3001SQ-S		white silicone seal	no	
3001SQ-SSP			yes	
3000-N	3" round TTMA flange	metal-to-metal seal	no	5-5/8"
3000-SP			yes	
3000-B		black nitrile rubber seal	no	
3000-BSP			yes	
3000-S		white silicone seal	no	
3000-SSP			yes	

Product instruction sheets and technical data, can be viewed at dixonvalve.com

Pneuclean™ Pneumatic Filtration System

Applications

- Designed to remove microscopic particles generated by blowers during pneumatic conveying of contaminant-sensitive dry bulk products. Contaminants such as iron and hydrocarbons are produced by air blowers and can adversely affect dry products such as plastic pellets and food materials. These filter units are typically mounted on dry bulk tanker trailers, but can also be mounted on the tractor. Units are placed after the blower and before the bulk storage tanker. This in-line pneumatic system is also suitable for industrial applications or wherever microscopic filtration (up to 4 microns) of impurities is required.

Features

- Variety of connection types (see chart below for details)
- Canister is heavy duty aluminum
- Overall weight is 26 lbs
- Maximum air flow is 1000 CFM
- Special cartridge style filter element has a typical life expectancy of approximately 12 months or 2000 hours of service
- Rated up to **400°F (204°C)**
- Noise reduction filter reduces noise by 13.8 dB at 600 CFM
- FDA compliant medium with 99.99% maximum efficiency at 4 microns
- Back pressure **0.05 PSI**
- Quick release V-clamp for easy inspection and servicing

Materials

- Aluminum canister and lid, stainless V-clamp
- Polyester filter material

Specifications

- Standard units employ 4" inlets and outlets, choose from schedule 40 pipe, grooved pipe, TTMA flange, or 4" cam & groove adapter connections (3" plumbing can be used with available weld-on 4" x 3" cam & groove adapters)
- Maximum working pressure is **50 PSI** with a MERV rating of 8



PC5000



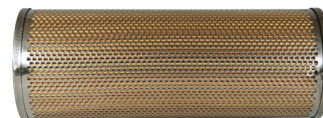
PC5000TTTE

Part #	Description
PC5000	complete Pneuclean filtration system with 4" schedule 40 pipe inlet and outlet
PC5000-002	complete Pneuclean filtration system with 4" schedule 40 pipe inlet and outlet with Outer Perf Element
PC5003	mounting bracket (sold separately, 2 required)

Replacement Parts



PC5001



PC5001-002

Part #	Description
PC5001	replacement Pneuclean filter element, rated to 400°F (204°C)
PC5001-002	replacement Pneuclean filter element with outer perforation, rated to 400°F (204°C)
PC5004	replacement V-clamp for securing lid to body
PC5005	replacement lid O-ring seal
PC5006	replacement canister bottom gasket-white silicone
PC5007	replacement lid

Product instruction sheets and technical data, can be viewed at dixonvalve.com

Clump Buster

Application

- Designed to be used in-line for dry bulk applications where dry material may tend to clump during off-loading

Features

- 4" cam & groove ends
- Two-piece housing design with V-band clamp (DB1000)
- Stainless screen hole diameter is 7/16"
- Seals are nitrile rubber
- Bell shaped housing provides maximum flow (DB1000)



DB1000



Inside View DB1000

Materials

- Aluminum body, stainless-steel screen and V-band clamp

Specification

- Manufactured with cam and groove end configurations

Part #	Description
DB1000	clump buster

Cam & Groove In-Line Sight Glasses

Application

- The cam & groove sight glasses are often connected to the dry bulk tanker's product outlet allowing the operator to visually confirm that product is flowing out of the tank

Features

- Allows the operator to see product flow
- Precision machined to rigid tolerances
- Durable stainless-steel cam arm pins will not rust or bind, providing strength and safety
- Recess holds gasket firmly in place, ensures proper placement
- Intended for dry goods only



3543CA

Materials

- Aluminum, acrylic sight glass, brass cam arms, and nitrile rubber gaskets

Specification

- Interchanges with all products produced to commercial Item description A-A-59326B

Coupler x Adapter

Part #	Description
3544CA	4" cam & groove coupler x 4" cam & groove adapter
3543CA	4" cam & groove coupler x 3" cam & groove adapter
3534CA	3" cam & groove coupler x 4" cam & groove adapter
3533CA	3" cam & groove coupler x 3" cam & groove adapter

Coupler x Coupler

Part #	Description
3544CC	4" cam & groove coupler x 4" cam & groove coupler
3543CC	4" cam & groove coupler x 3" cam & groove coupler
3533CC	3" cam & groove coupler x 3" cam & groove coupler

Adapter x Adapter

Part #	Description
3544AA	4" cam & groove adapter x 4" cam & groove adapter
3534AA	3" cam & groove adapter x 4" cam & groove adapter
3533AA	3" cam & groove adapter x 3" cam & groove adapter

Product instruction sheets and technical data, can be viewed at dixonvalve.com

Aluminum Bolt Clamps

Applications

- Designed to join two pieces of pipe together. The two pipes are butted to one another with each pipe having a groove that runs the circumference of the pipe exterior. The grooved clamp has ridges that lock into the two pipe grooves and a gasket is compressed to the pipes to create a leak-proof seal. Grooved clamps are often used on pipe connections on dry bulk tankers in place of welding, offering the ability to adjust, change or replace pipe sections without the need for a permanent joint such as a weld

Features

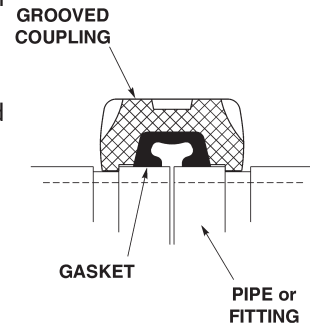
- Constructed of rugged cast aluminum or iron
- Maintenance is easy to perform
- Lightweight yet rugged unlike steel groove clamps that secure the pipe ends with high clamping force against the tubing/piping walls, the Dixon® aluminum bolted clamp takes the full bolt force and locks into the groove of the tube/pipe, preventing distortion of the tube/pipe diameter
- Precision casting and machined dimensions provide an exact fit and great appearance
- Lock nuts prevent loosening in applications with vibration
- White nitrile rubber seal for food applications

Materials

- Aluminum or coated ductile iron bodies with steel bolts/nuts, and nitrile rubber seals

Specification

- Manufactured to fit new and existing grooved pipe connections



DBV-WB400

Size	Seal	Part #	Maximum PSI	Approximate Weight (lbs)	Bolt Torque (ft lbs)
4"	white nitrile rubber	DBV-WB400	120	1.5	50

Replacement Gaskets



Clamp Size	Part #	Seal	Fuel Compatibility
2"	G200T	nitrile rubber (1 orange stripe)	Gasoline and diesel only
3"	G300T		
4"	G400T		
2"	G200VB	FKM-B (2 red stripes)	Gasoline and diesel, up to E100 & B100 Biofuels
3"	G300VB		
4"	G400VB		
2"	G200BL	Baylast™ (2 orange stripes)	
3"	G300BL		
4"	G400BL		



Biofuel Compatible

Aluminum Quick Connect Clamps

Application

- Quick line clamp designed to couple groove to groove connections in dry bulk applications

Features

- 4" dry bulk line clamp
- Adjustable locking mechanism
- Safety locking clip is included
- **50 PSI** working pressure
- Maximum temperature rating **250°F (121°C)**

Material

- White nitrile rubber split gasket, heavy duty composite handle, forged aluminum body, and stainless steel locking mechanism

Part #	Description
DBC400	4" aluminum groove x groove quick clamp
DBC400-P	4" aluminum pipe x pipe quick clamp
DBC400-PG	4" aluminum pipe x groove quick clamp



DBC400

Pipe Band Clamps

Applications

- Suitable for both food grade and non food grade applications where pipe and hopper tee outlets are joined. Typically used on dry bulk cargo tank pipe connections.

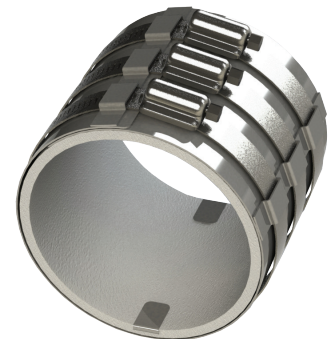
Features

- Works with both groove and straight pipe connections
- Static conductive strap built into clamp
- Heavy duty worm gear clamps
- Stainless steel support wrap improves strength
- Band clamp retainers align clamp position
- Working pressure **50 PSI**
- Maximum temperature rating **250°F (121°C)**

Materials

- Stainless steel band and clamps, white nitrile rubber FDA approved seals

Part #	ID Size	Length	Description
DBPCB400	4"	4"	stainless steel band clamp with white nitrile rubber seal



DBPCB400

Product instruction sheets and technical data, can be viewed at dixonvalve.com

Butterfly Valves

Application

- Butterfly valves are commonly used on dry bulk tankers to control the flow of product; designed to be placed between two ASME/ANSI 125 or 150 lb. flanges

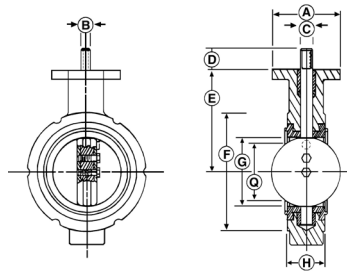
Features

- Flange gaskets are not required; the valves elastomer seat also doubles as the flange gasket
- Handles are high strength 713 aluminum, with a retrogressive re-aging process which creates a stronger handle than the cast iron handle which are commonly used in the industry
- Iron or stainless discs are standard for superior wear resistance
- FDA approved black or white nitrile rubber seals, -20°F to 275°F (-29°C to 135°C)

Materials

- Aluminum bodies with iron or stainless steel disc, polymer bushings, nitrile rubber seals and seats, spring, stem and locking lever pin are stainless-steel, and aluminum handle and throttling plate

Butterfly Valve Dimensions



Size	A	B	C	D	E	F	G	H	Q	Weight (lbs.)
2"	4.000	0.375	0.563	1.250	3.938	4.125	2.125	1.625	1.688	3
3"		0.375	0.563	1.250	4.875	5.375	3.125	1.750	2.875	5
4"		0.438	0.625	1.250	6.000	6.875	4.125	2.000	3.875	8
5"		0.438	0.625	1.250	6.000	7.625	5.188	2.125	5.000	9
6"		0.438	0.625	1.250	6.625	8.750	6.125	2.125	6.000	9
8"	6.000	0.500	0.750	1.250	8.313	11.000	8.125	2.500	8.000	--
10"		0.625	0.875	1.250	9.125	13.375	10.125	2.500	10.000	--

NOTE: All dimensions are given in inches

NOTE: "Q" dimension is the minimum allowable inside diameter of the pipe or mating flange

One-Piece Aluminum Body with Iron Disc and Black Nitrile Rubber Seals



5-480-1500

with integrated notch plate

Size	Description	Complete Valve Part # ¹
4"	125/150# flange	4-480-1500
4"	TTMA	4A-480-1500
5"	125/150# flange	5-480-1500
6"		6-480-1500
8"		8-400-1500
10"		10-400-1500

¹ Handle kits are sold separately on page 19

One-Piece Aluminum Body with Stainless Steel Disc and White Nitrile Rubber Seal



5-480-3501
with integrated notch plate

Valve Size	Description	Complete Valve Part # ¹
3"	125/150# flange	3-480-3501
4"		4-480-3501
4"	TTMA	4A-480-3501
5"	125/150# flange	5-480-3501
6"		6-480-3501

¹ Handle kits are sold separately, see below

Aluminum Butterfly Valve Handle Kits

Size	Description	Material	Part #
2-3"	10 position handle and throttle plate	steel	DB237-23-10
3-6"	5 position handle and throttle plate	aluminum	DB206-46-5
4-6"	10 position handle and throttle plate	steel	DB237-46-10
8"	10 position handle and throttle plate	aluminum	DB206-810
10"	10 position handle and throttle plate	aluminum	DB206-1010

Product instruction sheets and technical data, can be viewed at dixonvalve.com

Composite Butterfly Valves

Application

- Composite butterfly valves are commonly used on dry bulk cargo tankers to control the flow of product.

Features

- Rugged lightweight alternative to the heavier, more expensive aluminum valves
- Bayco® proven field reliability and corrosion-free design
- Drop in replacement to upgrade existing aluminum valves
- Weight reduction allows for increased payload

Material

- Composite bodies with iron, aluminum or stainless-steel discs, and white Baylast™ rubber seats

Specification

- Handle kits are sold separately



DB3-900-501



DB5-900-301



DB5-900-501



DB6-900-501

Part #	Connection Type	Disc Material	Baylast Seat Color
DB3-900-150	3" composite butterfly valve	iron	black
DB3-900-301		aluminum	white
DB3-900-501		stainless-steel	
DB4-900-150	4" composite butterfly valve	iron	black
DB4-900-301		aluminum	white
DB4-900-501		stainless-steel	
DB5-900-150	5" composite butterfly valve	iron	black
DB5-900-301		aluminum	white
DB5-900-501		stainless-steel	
DB6-900-150	6" composite butterfly valve	iron	black
DB6-900-301		aluminum	white
DB6-900-501		stainless-steel	

Composite Butterfly Valve Handle Kits

Part #	Size	Description	Material
DB206-46-5	3-6"	5 position handle and throttle plate	aluminum

Product instruction sheets and technical data, can be viewed at dixonvalve.com

Hopper Tees

Applications

- Straight and bottom drop tees are used at the base of dry bulk tank hoppers. With straight tees the dry bulk product is unloaded utilizing a blower generated pneumatic flow through the tee and air pressure on top of the hopper. The bottom drop tee can be utilized like the straight tee by using pneumatic conveyance or can be used for gravity unloading of the dry goods by opening the drop door on the base of the tee.

Features

- Straight tees are cast as one-piece
- Design allows high unloading rates and reduced flow turbulence
- Bottom drop tees have easy to use swing out bottom drop door

Materials

- Aluminum or Baycast™ iron alloy

Specification

- Dimensionally interchangeable with industry standard offerings. Flanged to the tank hopper and grooved or pipe connection ends.



DB500TA



DB500LTA



DB600TA



DB600LTA



DB605LTA



DB510TI-VXP



DB510TI-PXC



DB510TI-PXP

Part #	Connection Type	Low Profile	Material		Overall Height	Overall Length
			Aluminum	Iron		
DB500TA	5" x 4" straight tee - groove x groove	---	✓	---	6.438"	13.875"
DB600TA	6" x 6" straight tee - groove x groove	---	✓	---	7.000"	13.875"
DB500TI	5" x 4" straight tee - pipe x pipe	---	---	✓	6.5625"	13.875"
DB500TI-PXV	5" x 4" straight tee - pipe x groove	---	---	✓	6.5625"	13.875"
DB500TI-VXV	5" x 4" straight tee - groove x groove	---	---	✓	6.5625"	13.875"
DB500LTA	5" x 4" straight tee - groove x groove low profile	✓	✓	---	6.187"	13.875"
DB600LTA	6" x 6" straight tee - groove x groove low profile	✓	✓	---	5.063"	13.875"
DB605LTA	6" x 5" straight tee - groove x groove low profile	✓	✓	---	6.094"	13.875"
DB510TA	5" x 4" drop tee - groove x groove	---	✓	---	7.625"	13.875"
DB510TI	5" x 4" drop tee - groove x groove	---	---	✓	7.639"	13.875"
DB510TI-PXP	5" x 4" drop tee - pipe x pipe	---	---	✓	7.639"	13.875"
DB510TI-PXT	5" x 4" drop tee - pipe to NPI 4" male thread	---	---	✓	7.639"	13.875"
DB510TI-PXV	5" x 4" drop tee - pipe x groove	---	---	✓	7.639"	13.875"
DB510TI-VXP	5" x 4" drop tee - groove x pipe	---	---	✓	7.639"	13.875"
DB510TI-VXC	5" x 4" drop tee - groove x cam and groove coupler	---	---	✓	7.623"	15.593"
DB510TI-PXC	5" x 4" drop tee - pipe x cam and groove coupler	---	---	✓	7.623"	15.593"
DB510TI-VXT	5" x 4" drop tee - groove to NPI 4" male thread	---	---	✓	7.639"	13.875"
DB610TI-PXP	6" x 4" drop tee - pipe to pipe	---	---	✓	7.265"	13.975"
DB610TI-PXT	6" X 4" drop tee - pipe x thread	---	---	✓	7.265"	13.975"
DB610TI-PXV	6" x 4" drop tee - pipe to groove	---	---	✓	7.265"	13.975"
DB610TI-VXP	6" x 4" drop tee - groove to pipe	---	---	✓	7.265"	13.975"
DB610TI-VXT	6" x 4" drop tee - groove x thread	---	---	✓	7.265"	13.975"
DB610TI-VXV	6" x 4" drop tee - groove to groove	---	---	✓	7.265"	13.975"

Product instruction sheets and technical data, can be viewed at dixonvalve.com

Disk Fluidizer

Applications

- Designed to provide the optimum amount of air volume needed for efficient pneumatic unloading of bulk trailers, allowing more airflow, less back pressure, and higher unloading rates

Features

- Seals completely to hopper or wear plate to stop the back flow of product into the aeration lines, even when flood loading
- Durable, food grade silicone resists hardening, cracking or tearing
- Robust design does not have snap retention legs that can break off or flimsy disks that crack and wear prematurely
- Fluidizer component parts can withstand operating temperatures up to 350°F (177°C)

Commonly Used Fluidizer Kits

Part #	Description
111111	1-port assembly, includes blue silicone disk, grey stem hopper saver, blue silicone manifold gasket, 1-port grey manifold, tee handle
111131	3-port assembly, includes blue silicone disk, grey stem hopper saver, blue silicone manifold gasket, 3-port grey manifold, tee handle
113111	1-port assembly, includes blue silicone disk, grey stem, blue silicone manifold gasket, 1-port grey manifold, tee handle
113131	3-port assembly, includes blue silicone disk, grey stem, blue silicone manifold gasket, 3-port grey manifold, tee handle
111141	1-port assembly, includes blue silicone disk, grey stem hopper saver, blue silicone manifold gasket, 1-port clear manifold, tee handle
111161	3-port assembly, includes blue silicone disk, grey stem hopper saver, blue silicone manifold gasket, 3-port clear manifold, tee handle

Fluidizer Components



4124



4125



4134



4127



4122



4623



4129

Part #	Description
4124	blue silicone fluidizer disk (food grade)
4134	white silicone fluidizer disk (food grade)
4125	grey stem with brass insert
4135	natural stem with stainless-steel insert
4155	aluminum stem
4157	carbon steel stem
4126B	1-1/2" stainless steel hopper saver, white silicone backing
4127	blue silicone manifold gasket (food grade)
4137	white silicone manifold gasket (food grade)
5050	20" stainless-steel, 3 disk fluidizer plate (16" I.D.)
5052	20" carbon steel, 3 disk fluidizer plate (16" I.D.)
5012	20" neoprene gasket
4121	manifold, 1-port grey
4122	manifold, 2-port grey
4123	manifold, 3-port grey
4621	manifold, 1-port clear
4622	manifold, 2-port clear
4623	manifold, 3-port clear
4129	tee handle assembly - stainless steel
4130	raised tee handle assembly
4139	hex bolt assembly - stainless steel
4149	internal hex bolt assembly - stainless steel

Product instruction sheets and technical data, can be viewed at dixonvalve.com

Hose Tube Doors

Application

- When not in use fuel delivery hoses are often stored in tubes that run the length of the tanker. A welded cap on one end and a hinged tube door welded on the other end keep the hoses in the storage tubes

Features

- Pad-lockable
- Keeps fuel delivery hoses neatly and safely stored in the designated storage tubes
- Protects expensive delivery hoses and fittings from road dirt, salt, and other environmental factors

Materials

- Aluminum body, nitrile rubber seals, stainless-steel door closure spring and hardware, nylon bushings

Specification

- Manufactured to weld to 6", 7", or 8" hose tubes



TDF6



TDF7



TDF8

Part #	Description
TDF6	6" hose tube door
TDF7	7" hose tube door
TDF8	8" hose tube door

Product instruction sheets and technical data, can be viewed at dixonvalve.com

TTMA Reducing Flange Adapters

TTMA Reducing Flange Adapters

Application

- Used in applications where 3" and 4" TTMA flanges need to be connected

Features

- Both sides machined to create smooth gasket sealing surfaces
- 3/4" thick
- 4" TTMA hole pattern sized for (8) 3/8" socket head cap screws
- 3" TTMA hole pattern is blind threaded with 3/8"-16 thread to a depth of 9/16", supplied with (8) 3/8"-16 x 1" socket head cap screws
- Easily connects with items that have a 3" or 4" TTMA flange

Material

- Aluminum

Specification

- Flange connections are manufactured to connect with the Tank Truck Manufacturers Association (TTMA) flange pattern, see page 11 flange dimensions



4443

Part #	Description
4443	4" TTMA x 3" TTMA reducer flange

NOTE: See page 11 for TTMA flange gaskets

TTMA Weldable Flanges

Application

- Used in applications where a device such as a valve or sight flow with a TTMA flange needs to be connected to a pipe; the TTMA weldable flange is welded to the pipe and the desired device is bolted on

Features

- Butt weld version: the I.D. on side A is beveled to aid with butt welding, the flange face of side B is machined to create an even surface for the gasket seal
- Socket weld version: the I.D. on side A has a machined socket to allow the pipe to slide in to be socket welded
- Flange face of side B is machined to create an even surface for the gasket seal
- Flanges are 3/8" thick
- Easily connect with any item that has a 3" or 4" TTMA flange

Material

- Aluminum

Specification

- Flange connections are manufactured to connect with the Tank Truck Manufacturers Association (TTMA) flange pattern, see page 11 for flange dimensions.



TTF3AL



TTF400SP

Part #	Description
TTF3AL	3" TTMA butt weld on flange
TTF4AL	4" TTMA butt weld on flange
TTF400SP	4" TTMA socket weld on flange

Product instruction sheets and technical data, can be viewed at dixonvalve.com

Cam & Groove Couplings x TTMA Flange

Application

- Used to connect dry bulk product hoses; the TTMA flange x cam & groove allows product hoses to be connected directly to the dry bulk tanker piping system

Features

- Precision machined to rigid tolerances
- Durable stainless steel cam arm pins will not rust or bind, for greater strength and safety
- Recess holds gasket firmly in place, ensures proper placement

Materials

- Aluminum, nitrile rubber gaskets

Specifications

- Interchanges with all products produced to commercial item description A-A-59326B
- Flange connections are manufactured to connect with the Tank Truck Manufacturers Association (TTMA) flange pattern, see page 11 for flange dimensions



300-ALT-AL



300-DLT-AL



40022ALTAL



40022DLTAL

Part #	Description
300-ALT-AL ¹	3" cam & groove adapter (straight) x 3" TTMA flange
3040ALTAL	4" cam & groove adapter (straight) x 3" TTMA flange
400-ALT-AL ¹	4" cam & groove adapter (straight) x 4" TTMA flange
40022ALTAL	4" cam & groove adapter (22-1/2°) x 4" TTMA flange
600-ALT-AL	6" cam & groove adapter (straight) x 6" TTMA flange
300-DLT-AL	3" cam & groove coupler (straight) x 3" TTMA flange
3040DLTAL	4" cam & groove coupler (straight) x 3" TTMA flange
400-DLT-AL	4" cam & groove coupler (straight) x 4" TTMA flange
40022DLTAL	4" cam & groove coupler (22-1/2°) x 4" TTMA flange
600-DLT-AL	6" cam & groove coupler (straight) x 6" TTMA flange

¹ 300-ALT-AL and 400-ALT-AL are also available in 316 stainless steel

Product instruction sheets and technical data, can be viewed at dixonvalve.com

Cam & Groove with Straight Thread

Applications

- Used to connect dry bulk product hoses. Standard threaded cam & groove fittings have a tapered thread, which when threaded to another tapered thread, leaves exposed thread within the product flow path. The cavity left by the exposed thread not only causes product turbulence, but it also is a place where product can build up. When the Dixon® cam and groove with female straight threads is threaded onto a male tapered thread (NPT), the male tapered thread threads all the way to the bottom of the thread cavity, creating a smooth product path. This reduces product turbulence and build-up.

Features

- No exposed threads within the product flow, reduces product turbulence and product build up
- Precision machined to rigid tolerances
- Durable stainless-steel cam arm pins will not rust or bind, for greater strength and safety
- Recess holds coupler gasket firmly in place, ensuring proper placement

Materials

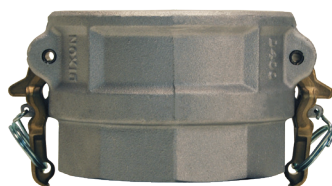
- Aluminum, cork/nitrile rubber adapter gasket, and nitrile rubber coupler gasket

Specifications

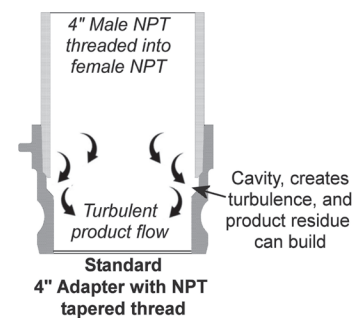
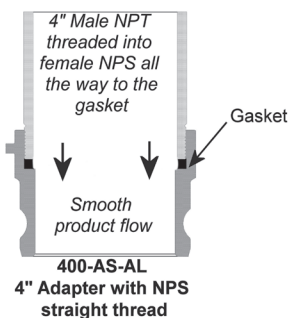
- Interchanges with all products produced to commercial Item description A-A-59326B
- Threads are machined to the NPSM standard



400-AS-AL



ADS400



Part #	Description
400-AS-AL	4" cam & groove adapter with female NPSM (straight thread)
400GAGFI	replacement cork/nitrile rubber thread gasket for 400-AS-AL
ADS400	4" cam & groove coupler with female NPSM (straight thread)
400-G-BU ¹	replacement nitrile rubber coupler gasket for ADS400

¹ Other material coupler gaskets are available, please contact Dixon® at 513.874.8499

NOTE: Please contact Dixon for other materials and configurations

Cam & Groove Swivels

Type A Adapters adapter x female NPT

Size	Aluminum Part #	316 Stainless Steel Part #
2"	200-A-ALSWIV	200-A-SSSWIV
3"	300-A-ALSWIV	300-A-SSSWIV
4"	400-A-ALSWIV	400-A-SSSWIV

Type C Coupler coupler x hose shank

Size	Aluminum Part#	316 Stainless Steel Part #
2"	AC200EZSWIV	RC200EZSWIV
3"	AC300EZSWIV	RC300EZSWIV
4"	AC400EZSWIV	RC400EZSWIV

Type D Coupler coupler x female NPT

Size	Aluminum Part #	316 Stainless Steel Part #
2"	AD200EZSWIV	RD200EZSWIV
3"	AD300EZSWIV	RD300EZSWIV
4"	AD400EZSWIV	RD400EZSWIV

Type E Adapter adapter x hose shank

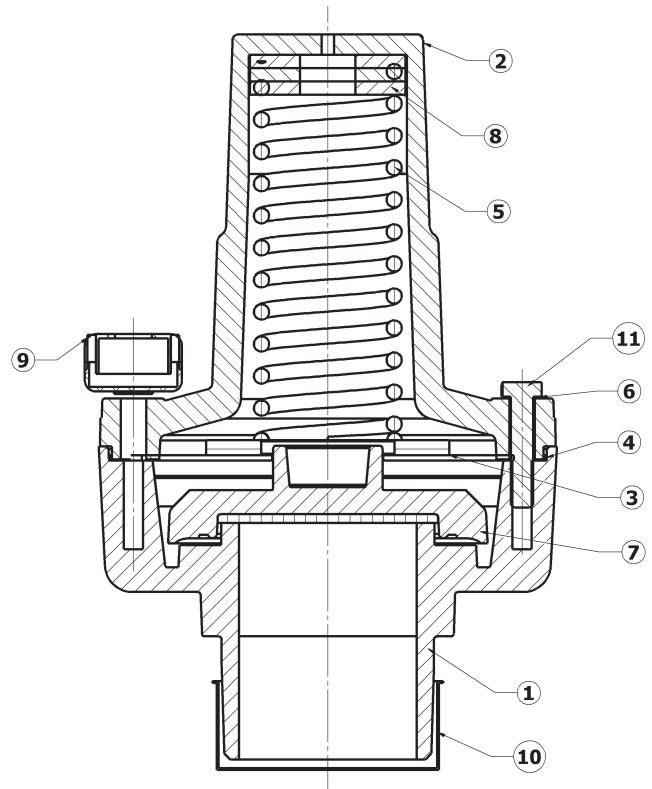
Size	Aluminum Part #	316 Stainless Steel Part #
2"	200-E-ALSWIV	200-E-SSSWIV
3"	300-E-ALSWIV	300-E-SSSWIV
4"	400-E-ALSWIV	400-E-SSSWIV

Product instruction sheets and technical data, can be viewed at dixonvalve.com

2182-Series Blower 2" Air Relief Valves

Bill of Materials

Item #	Description	Qty
1	vent cowl	1
2	top body	1
3	valve seat	1
4	diaphragm	1
5	spring	1
6	lock washer	4
7	valve plate	1
8	spacer	--
9	cup seal	1
10	cap	1
11	body bolt	4



Repair Kits

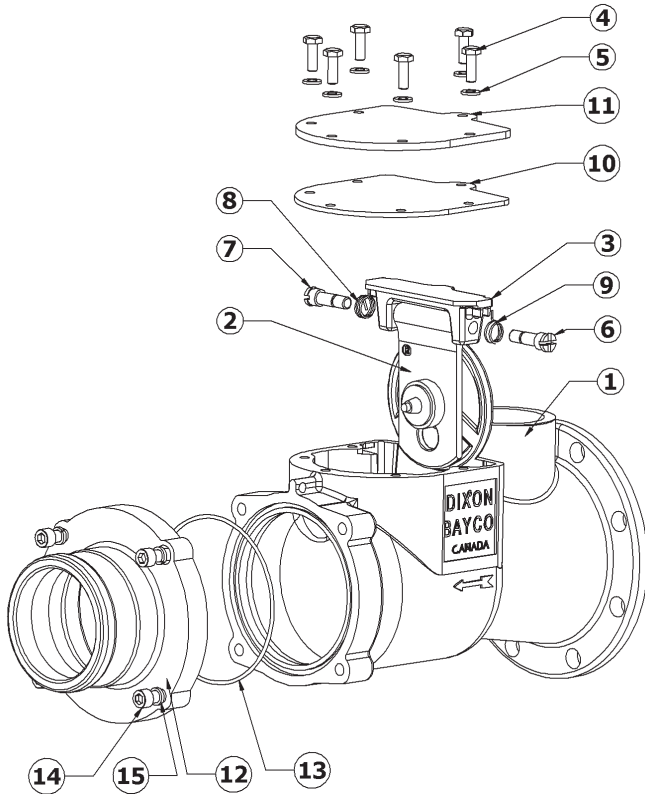
Part #	Description	Includes Item #
2182RK15	2182 repair kit, 15 PSI spring (+2/-0 PSI tolerance), spring seat, diaphragm, valve plate, bolts, lock washers, tamper proof seal and valve label	3, 4, 5, 6, 8, 9, 10
2182RK18	2180/18 repair kit, 18 PSI spring (+2/-0 PSI tolerance), spring seat, diaphragm, valve plate, bolts, lock washers, tamper proof seal and valve label	3, 4, 5, 6, 8, 9, 10

NOTE: Disassembly, tampering or modifications will void the product warranty and could result in personal injury or death and extensive property damage



High Flow Blower Swing Check Manifold Valves 3090-Series TTMA Flange x Adapter

Bill of Materials



Item #	Description	Part No.	Qty
1	swing check manifold body	---	1
2A	valve flapper assembly silicone seal (3090M, 3090MA, 3090MB and 3090F)	use kit 3090RK2	1
2B	valve flapper assembly metal seal (3091MA)	use kit 3091RK2	1
3	flapper valve yoke	341595	1
4	bolt	use kit 3030HK	6
5	lock washer	use kit 3030HK	6
6	left hand shaft	390799	1
7	right hand shaft	390798	1
8	right hand spring	use kit 3030RK3	1
9	left hand spring	use kit 3030RK3	1
10	cover gasket silicone	112257	1
11	cover	341611	1
12A	3" adapter outlet (for 3090MA, 3090MAS and 3091MA, includes items 14 and 15)	6000-16	1
12B	4" adapter outlet (for 3090MB, and 3090MBS, includes items 14 and 15)	6000-17	1
12C	4" FNPT outlet (for 3090F)	6000-20	1
13	adapter outlet O-ring	3090RK1	1
14	adapter outlet hex bolt	use kit 6000NPHK	4
15	adapter outlet lock washer	use kit 6000NPHK	4

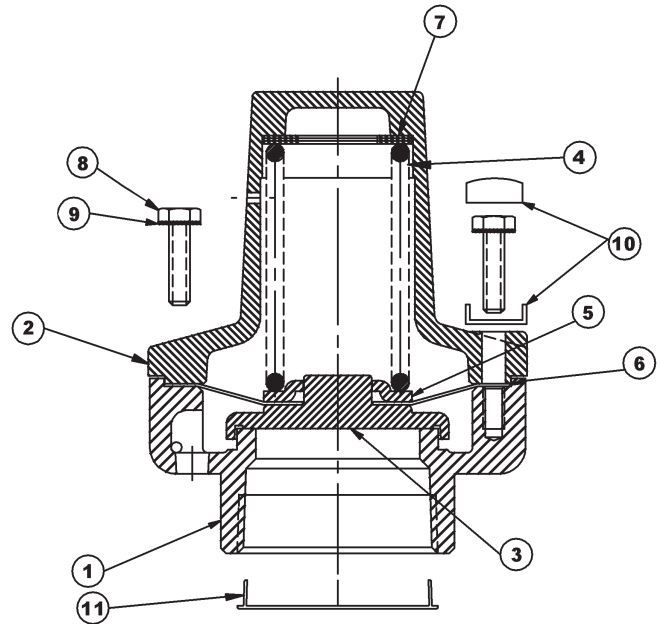
Repair Kits

Part #	Description	Includes Item #
3090RK1	adapter outlet O-ring	13
3091RK2	replacement metal seal flapper kit, flapper assembly, yoke, springs, shafts, cover gasket (for 3091MA)	2B, 3, 6, 7, 8, 9, 10
3090RK2	complete rebuild kit, silicone flapper assembly, yoke, springs, shafts, cover gasket, bolts and lock washers (for 3090M, 3090MA, 3090MB and 3090F)	2A, 3, 4, 5, 6, 7, 8, 9, 10
3091RK1	complete rebuild kit, metal seat flapper assembly, yoke, springs, shafts, cover gasket, bolts and lock washers (for 3091MA)	2B, 3, 4, 5, 6, 7, 8, 9, 10
3030HK	replacement cover bolts and lock washers	4, 5
3030RK3	replacement left and right springs	8, 9
6000NPHK	outlet bolts and lock washers	14, 15

2180-Series 2" Air Relief Valves Models 2180 and A2180

Bill of Materials

Item #	Description	Qty
1	vent cowl	1
2	top body	1
3	valve	1
4	spring	1
5	valve seat	1
6	diaphragm	1
7	spacers	---
8	body bolt	4
9	body bolt washer	4
10	cup seal	1
11	plug	1



NOTE: Only **15 PSI** and **18 PSI** repair kits are available (below), all valves of other pressure settings must be returned to Dixon® for rebuilding.

NOTE: The detailed instructions enclosed with each repair kit must be followed. Failure to comply with these instructions including disassembly, tampering or modifications using processes and parts not described in these instructions or supplied with this rebuild kit will void the product warranty and could result in personal injury or death and extensive property damage.

Repair Kits

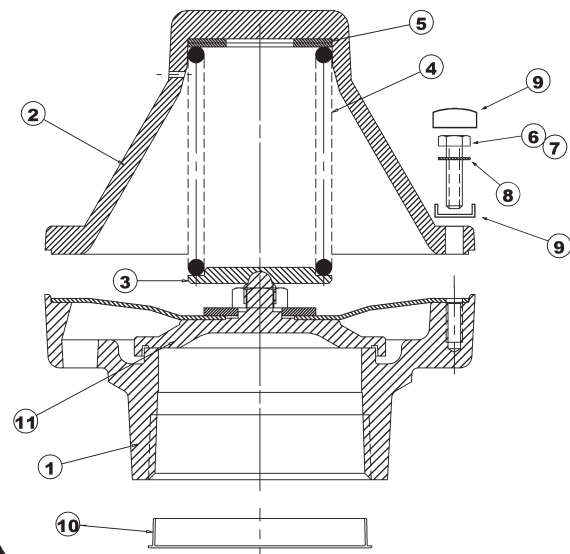
Part #	Description	Includes Item #
2180RK15	2182 repair kit, 15 PSI spring (+2/-0 PSI tolerance), spring seat, diaphragm, valve plate, bolts, lock washers, tamper proof seal and valve label	3, 4, 5, 6, 8, 9, 10
2180RK18	2180/18 repair kit, 18 PSI spring (+2/-0 PSI tolerance), spring seat, diaphragm, valve plate, bolts, lock washers, tamper proof seal and valve label	3, 4, 5, 6, 8, 9, 10

NOTE: Repair kits fit the 2180-series (non-adjustable) relief valves with female NPT, grooved and cam and groove adapter ends (not for use in the adjustable 2180-series)

3180-Series 3" Air Relief Valves

Bill of Materials

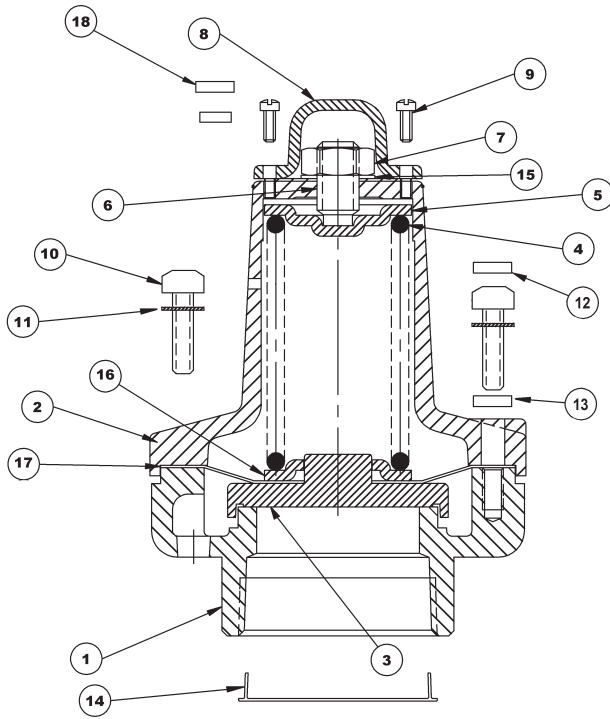
Item #	Description	Qty
1	bottom cowl	1
2	cover	1
3	spring seat	1
4	spring	1
5	set washer	1
6	hex screw	2
7	drilled screw	2
8	lock washer	4
9	cup seal	1
10	plug	1
11	valve sub-assembly	1



NOTE: Repair kits are not available. All 3180 and A3180 relief valves must be returned to Dixon for rebuilding

NOTE: Disassembly, tampering or modifications will void the product warranty and could result in personal injury or death and extensive property damage.

2" and 3" Adjustable Air Relief Valves Models A2180ADJ and A3180ADJ



Bill of Materials

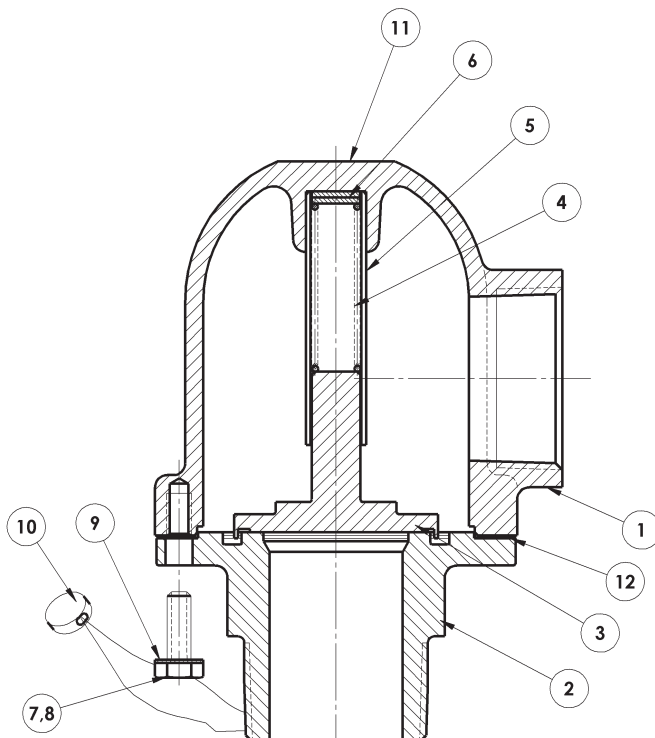
Item #	Description	Qty
1	vent cowl	1
2	top body	1
3	valve	1
4	spring	1
5	spring plate	1
6	adjustable screw	1
7	lock nut	1
8	adjustment cap	1
9	cap screw	2
10	body screw	4
11	body screw lock washer	4
12	cup seal top	1
13	cup seal bottom	1
14	plug	1
15	lock washer	1
16	spring seat	1
17	diaphragm	1
18	cap screw cup seal	1

NOTE: Repair kits are not available. All adjustable relief valves must be returned to Dixon® for rebuilding

NOTE: Disassembly, tampering or modifications will void the product warranty and could result in personal injury or death and extensive property damage



1120-Series 1-1/2" Vacuum Relief Valves



Bill of Materials

Item #	Description	Qty
1	cover	1
2	bottom	1
3	valve	1
4	spring	1
5	stem guide	1
6	spacer	2
7	drilled screw	2
8	screw	2
9	lock washer	4
10	cup seal	1
11	label	1
12	gasket	1

NOTE: Repair kits are not available. All 1120 relief valves must be returned to Dixon for rebuilding

NOTE: Disassembly, tampering or modifications will void the product warranty and could result in personal injury or death and extensive property damage

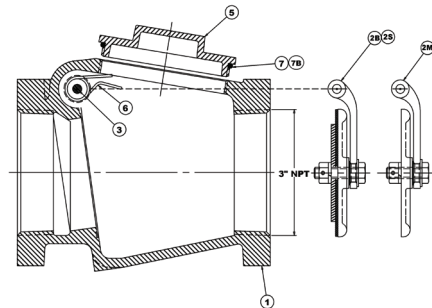
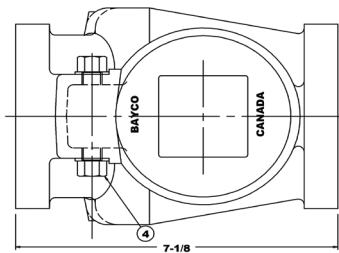


Cam & Groove In-Line Sight Glass Replacement Parts

Part #	Description	3544CA	3543CA	3534CA	3533CA	3544CC	3543CC	3533CC	3544AA	3534AA	3533AA
6000-24	3" adapter end	--	1	--	1	--	--	--	--	--	1
341351	3" adapter end with threaded bolt holes	--	--	--	--	--	--	--	--	1	1
6000-18	4" adapter end	1	--	1	--	--	--	--	2	1	--
6000-23	3" coupler end	--	--	1	1	--	1	2	--	--	--
6000-19	4" coupler end	1	1	--	--	2	1	--	--	--	--
6400SGK	replacement sight glass kit (2 nitrile rubber O-rings and acrylic sight glass)	1	1	1	1	1	1	1	1	1	1
6544CA-1	sight glass spacers	4	4	4	4	4	4	4	4	4	4
AS156	nitrile rubber O-ring for sight glass	2	2	2	2	2	2	2	2	2	2
SC5-16-18X2.5P	bolts 5/16" x 2-1/2"	--	--	--	--	--	--	--	4	4	4
SC5-16-18X2.75P	bolts 5/16" x 2-3/4"	4	4	4	4	4	4	4	--	--	--
110978	hex nut 5/16"	4	4	4	4	4	4	4	--	--	--
111430	helicoil nut 5/16"	--	--	--	--	--	--	--	4	--	--
110977	lock washer (for nut end of bolt)	4	4	4	4	4	4	4	--	--	--

Swing Check Valves

Bayco® Classic 3000-Series 3" Swing Check Valves 3000 Threaded and 3001-Series Square Flange Units



Bill of Materials

Item #	Description	Part #	Qty
1	swing check body	--	1
2M	valve flapper assembly with metal seal	use kit 300-SPK	1
2B	valve flapper assembly with nitrile rubber seal	use kit 300-BSPK	1
2S	valve flapper assembly with silicone seal	use kit 300-SSPK	1
3	shaft	3000-4	1
4	shaft nut	3000-5	2
5	clean out cap	341131	1
6	spring (for units with spring return flapper)	SPRG/L4603	1
7	clean out cap O-ring seal	O-RINGAS238	1
7B	clean out cap O-ring silicone	112254	1

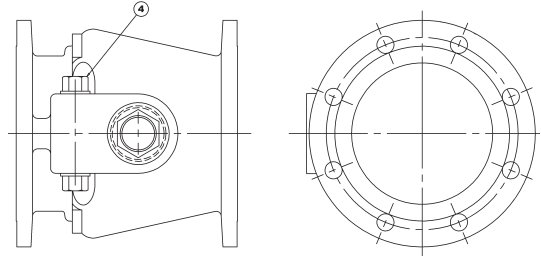
Repair Kits

Part #	Description	Includes Item #
300-SSPK	silicone seal flapper assembly, shaft, nuts, flapper spring and clean out cap O-ring seal	2S, 3, 4, 6, 7B
300-SK	silicone seal flapper assembly, shaft, nuts and clean out cap O-ring seal	2S, 3, 4, 7B
300-BSPK	nitrile rubber seal flapper assembly, shaft, nuts, flapper spring and clean out cap O-ring seal	2B, 3, 4, 6, 7B
300-BK	nitrile rubber seal flapper assembly, shaft, nuts and clean out cap O-ring seal	2B, 3, 4, 7B
300-SPK	metal seal flapper assembly, shaft, nuts, flapper spring and clean out cap O-ring seal	2M, 3, 4, 6, 7B
300-K	metal seal flapper assembly, shaft, nuts and clean out cap O-ring seal	2M, 3, 4, 7B

Bayco® Classic 3000-Series 3" Swing Check Valves
Round Flange Units

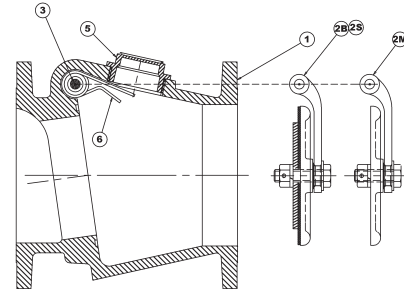
Bill of Materials

Item #	Description	Part #	Qty
1	swing check body	---	1
2M	valve flapper assembly with metal seal	use kit 300-SPK	1
2B	valve flapper assembly with nitrile rubber seal	use kit 300-BSPK	1
2S	valve flapper assembly with silicone seal	use kit 300-SSPK	1
3	shaft	3000-4	1
4	shaft nut	3000-5	2
5	clean out cap	3000CAP	1
6	spring (for units with spring return flapper)	SPRG/L4603	1



Repair Kits

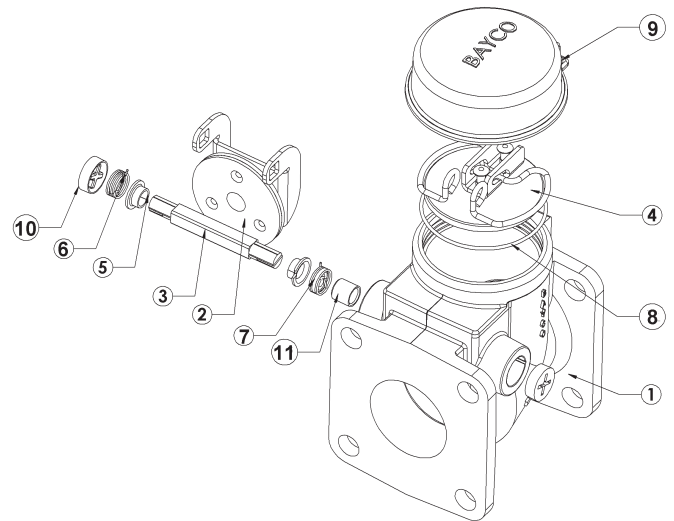
Part #	Description	Includes Item #
300-SSPK	silicone seal flapper assembly, shaft, nuts, flapper spring	2S, 3, 4, 6
300-SK	silicone seal flapper assembly, shaft, nuts	2S, 3, 4
300-BSPK	nitrile rubber seal flapper assembly, shaft, nuts, flapper spring	2B, 3, 4, 6
300-BK	nitrile rubber seal flapper assembly, shaft, nuts	2B, 3, 4
300-SPK	metal seal flapper assembly, shaft, nuts, flapper spring	2M, 3, 4, 6
300-K	metal seal flapper assembly, shaft, nuts	2M, 3, 4



Bayco High Flow 3020-Series 2" Swing Check Valves

Bill of Materials

Item #	Description	Part #	Qty
1	swing check body	---	1
2	valve flapper assembly, white EPDM	use kit 3020-FA	1
3	shaft	390777	1
4	cover plate & retaining ring	use kit 3020-CS	1
5	shaft bearing	111321	2
6	right spring	111324	1
7	left spring	111325	1
8	cover O-ring	111326	1
9	cap	3020-C	1
10	threaded shaft plug	111443	2
11	shaft bushing	390784	2
**	flange close clearance nuts (2 provided with 3020SQ, due to close clearance between flange and body)	111485	2

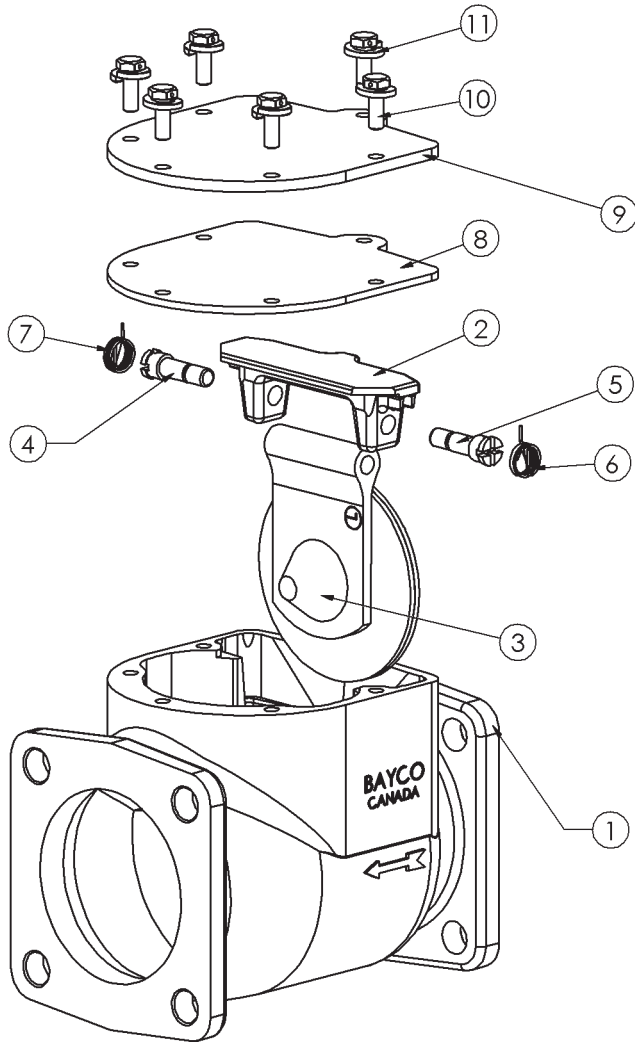


** Not illustrated

Repair Kits

Part #	Description	Includes Item #
3020-CS	top cover plate kit, cover plate, spring clip assembly and O-ring seal	4, 8
3020-FA	replacement white EPDM flapper kit, flapper assembly, shaft, shaft bearings, springs and shaft plugs	2, 3, 5, 6, 7, 10

Bayco High Flow 3030-Series 3" Swing Check Valves Round Flange, Square Flange, Threaded, and Grooved Ends



Bill of Materials

Item #	Description	Part #	Qty
1	swing check body	---	1
2	flapper valve yoke	341595	1
3	valve flapper assembly with metal seal	use kit 3091RK1	1
4	right hand shaft	390798	1
5	left hand shaft	390799	1
6	left hand spring	use kit 3030RK3	1
7	right hand spring	use kit 3030RK3	1
8	cover gasket silicone	112257	1
9	cover	341611	1
10	bolt	use kit 3030HK	6
11	lock washer	use kit 3030HK	6

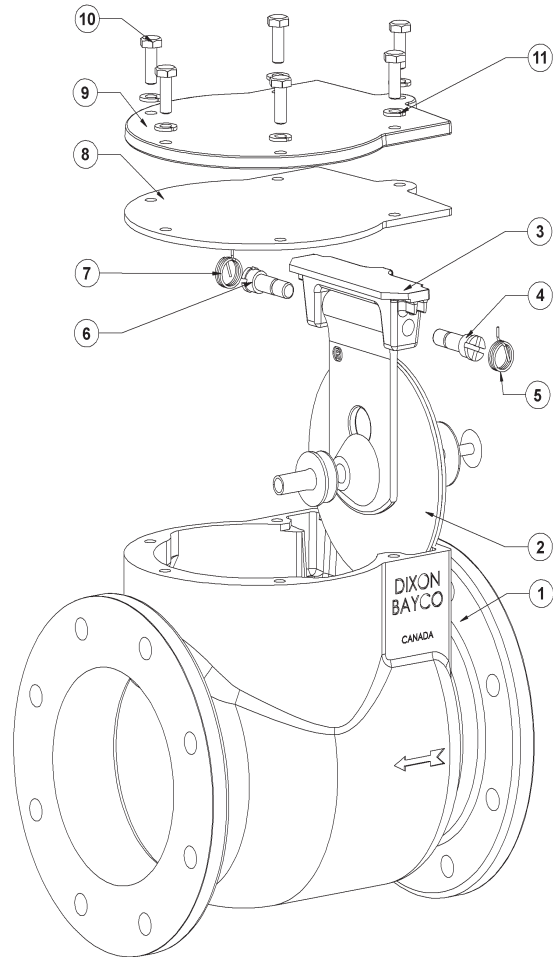
Repair Kits

Part #	Description	Includes Item #
3090RK2	complete rebuild kit, silicone flapper assembly, yoke, springs, shafts, cover gasket, bolts, and lock washers (for 3030RD-SSP, 3030SQ-SSP, 3030TE-SSP and 3030VIC-SSP)	2, 3A, 4, 5, 6, 7, 8, 10, 11
3091RK1	complete rebuild kit, metal seal flapper assembly, yoke, springs, shafts, cover gasket, bolts, and lock washers (for 3031RD, 3031SQ, 3031TE and 3031VIC)	2, 3B, 4, 5, 6, 7, 8, 10, 11
3030HK	replacement bolts and lock washers	10, 11
3030RK3	replacement left and right springs	6, 7

**Bayco High Flow 4040-Series 4" Swing Check Valves
Round Flange and Threaded Units**

Bill of Materials

Item #	Description	Part #	Qty
1	swing check body	---	1
2A	valve flapper assembly white EPDM (4040RD and 4040TE)	use kit 4040RK1	1
3	flapper valve yoke	341 595	1
4A	left hand shaft (4040RD and 4040TE)	390799	1
4B	left hand shaft (4041RD, 4042RD, 4041TE, 4042TE)	390846	1
5A	left hand spring (4040RD and 4040TE)	use kit 3030RK3	1
5B	left hand spring (4041RD, 4042RD, 4041TE and 4042TE)	use kit 4041RK3	1
6A	right hand shaft (4040RD and 4040TE)	390798	1
6B	right hand shaft (4041RD, 4042RD, 4041TE and 4042TE)	390847	1
7A	right hand spring (4040RD and 4040TE)	use kit 3030RK3	1
7B	right hand spring (4041RD, 4042RD, 4041TE and 4042TE)	use kit 4041RK3	1
8	cover gasket	111 215	1
9	cover	340 039	1
10	bolt	use kit 3030HK	6
11	lock washer	use kit 3030HK	6



Repair Kits

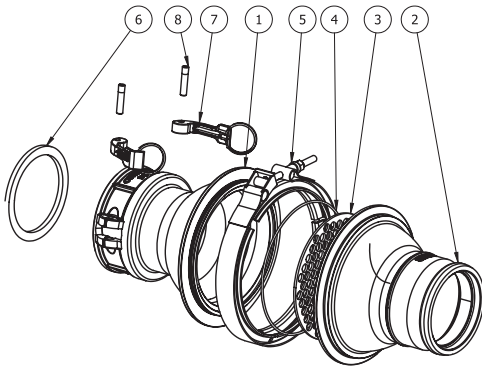
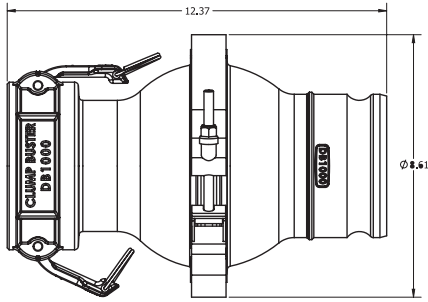
Part #	Description	Includes Item #
4040RK1	replacement white EPDM flapper kit, flapper assembly, yoke, springs, shafts, cover gasket (for 4040RD and 4040TE)	2A, 3, 4A, 5A, 6A, 7A, 8
4041RK1 ¹	complete rebuild kit, metal seat flapper assembly, yoke, springs, shafts, cover gasket, bolts and lock washers (for 4041RD and 4041TE)	2B, 3, 4B, 5B, 6B, 7B, 8, 10, 11
4042RK1 ¹	complete rebuild kit, red silicone flapper assembly, yoke, springs, shafts, cover gasket, bolts and lock washers (for 4042RD and 4042TE)	2C, 3, 4A, 5A, 6A, 7A, 8, 10, 11
3030HK	replacement bolts and lock washers	10, 11
3030RK3	replacement left and right springs (for 4040RD and 4040TE)	5A, 7A
4041RK3	replacement left and right springs (for 4041RD, 4041TE, 4042RD and 4042TE)	5B, 7B

¹ Kits 4041RK1 and 4042RK1 contain 2 sets of shafts and springs. Swing check valves manufactured after March 2007 should use the larger axial shafts and larger torsion springs. Swing check valves manufactured prior to March 2007 will require the use of the shorter axial shafts and the smaller torsion springs.

NOTE: The smaller torsion springs will not return the flappers contained in the 4041RK1 and 4042RK1 kits to a fully closed position if the valve is mounted vertically or upside down. Ensure that these mounting positions are avoided if the smaller springs are used with the 4041RK1 and 4042RK1 kits.



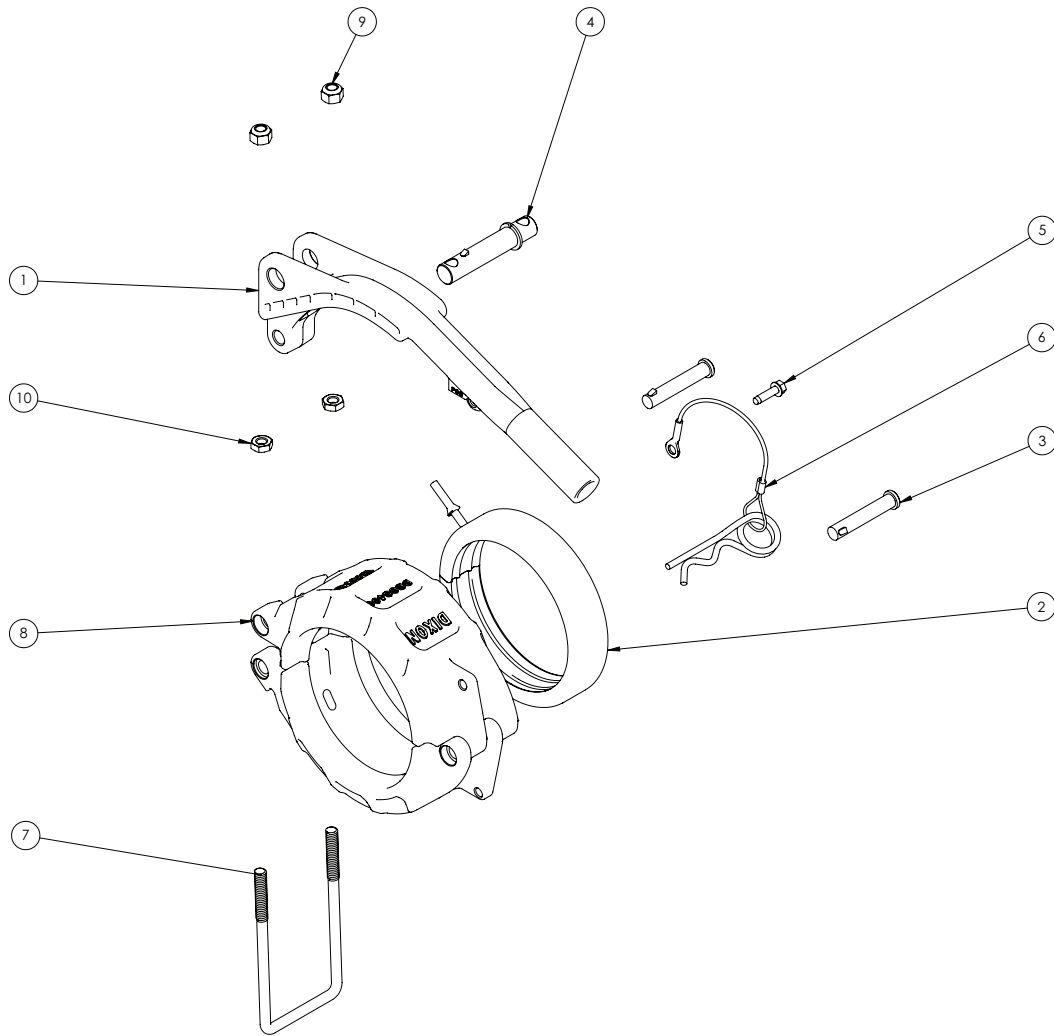
Clump Buster-DB1000



Bill of Materials

Item #	Description	Part #	Qty
1	coupler-machined	341841	1
2	adapter-machined	341842	1
3	screen	391862	1
4	O-ring 2-166	112293	1
5	clamp	112291	1
6	gasket 4"	400-G-BU	1
7	cam arm with ring	300-HR-BR	2
8	pin	325-P	2

Aluminum Quick Connect Clamps



Bill of Materials-DBC400

Item #	Description	Part #	Material	Qty
1	4" pipe coupler handle	40396NY	nylon	1
2	4" pipe coupler split gasket	40398BN	nitrile rubber/EPDM	1
3	small quick assembly pin	40431SS	stainless steel	2
4	large quick assembly pin	40430SS	stainless steel	1
5	screw	10765SS	stainless steel	1
6	lanyard and cotter pin assembly	40432	---	1
7	coupler, bail latch	40429SS	stainless steel	1
8	4" pipe coupler half	40397AL	aluminum	2
9	5/16-18 nut, nylon insert	40427SS	stainless steel	2
10	5/15-18 jam nut	40428SS	stainless steel	2

Butterfly Valve Replacement Parts

Part #	Description
2-400-422240	replacement stainless steel valve stem for 2" valve
3-400-422240	replacement stainless steel valve stem for 3" valve
4-400-422240	replacement stainless steel valve stem for 4" valve
5-400-422240	replacement stainless steel valve stem for 5" valve
6-400-422240	replacement stainless steel valve stem for 6" valve
2-3-400-99BPKIT	bushing and packing kit for 2" and 3" valves
4-6-400-99BPKIT	bushing and packing kit for 4", 5", and 6" valves (not for 6" 2-piece valve 6-390-828U501)
6-99-400BPKIT	bushing and packing kit for 6" (6-390-828U501)
2-3-213	stainless screw sets for 2" and 3" valves
4-5-6-213	stainless screw sets for 4", 5", and 6" valves

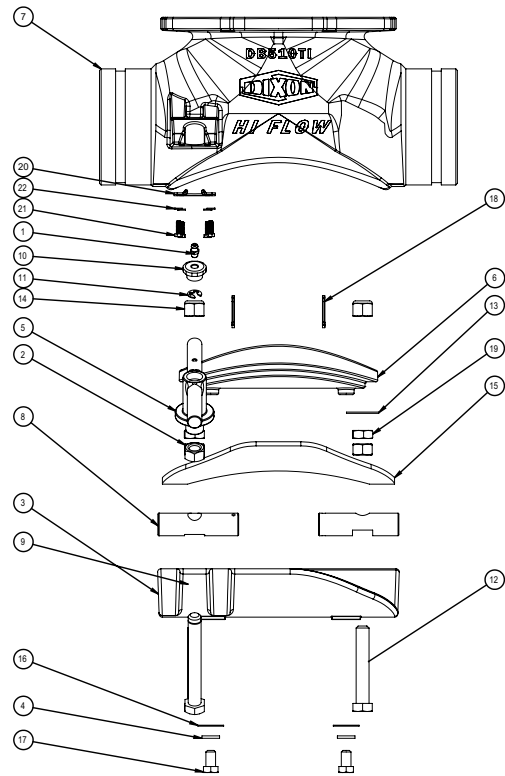
Complete Valve Part # ¹	Replacement Handle Kits		Replacement Disc		Replacement Seats	
	Aluminum Part #	Iron Part #	Iron Part #	Stainless Steel	Black Nitrile Rubber Seat Part #	White Nitrile Rubber Seat Part #
2-400-1500	DB206-23-5	DB237-23-10	2-400-422237F	---	2-400-422500	---
3-380-828501			---	---	---	3-400-422501
3-480-1500	DB206-23-5	DB237-23-10	3-400-422237F	---	3-400-422500	---
3-480-3501			3-400-422209F	---	3-400-422501	---
4-380-828U501	DB206-46-5	DB237-46-10	---	---	---	4-400-422501
4-480-1500	DB206-46-5	DB237-46-10	4-400-422237U	---	4-400-422500	---
4-480-3501	DB206-23-5	DB237-23-10	4-400-422209U	---	4-400-422501	---
4A-400-1500	DB206-46-5	DB237-46-10	4A-400-422237U	---	4A-400-422500	---
4A-400-3501			4A-400-422209U	---	4A-400-422501	---
4A-480-1500			4A-400-422237U	---	4A-400-422500	---
4A-480-3501			4A-400-422209U	---	4A-400-422501	---
5-380-828U501	DB206-46-5	DB237-46-10	---	---	---	5-400-422501
5-480-1500	DB206-46-5	DB237-46-10	5-400-422237U	---	5-400-422500	---
5-480-3501			5-400-422209U	---	5-400-422501	---
6-380-828U501	DB400-206-65	DB400-237-610	---	---	---	6-390-393501
6-400-3501	DB206-46-5	DB237-46-10	6-400-422209U	---	6-400-422501	---
6-480-1500			6-400-422237U	---	6-400-422500	---
6-480-3501			6-400-422209U	---	6-400-422501	---
8-400-1500	---	---	8-400-4222370	---	8-400-422500	---
10-400-1500	---	---	10-400-4222370	---	10-400-422500	---
DB3-400-1500	DB206-23-5	DB237-23-10	112366	---	112363	---
DB3-400-3501			---	112365	---	112364
DB4-400-1500	DB206-46-5	DB237-46-10	112356	---	112354	---
DB4-400-3501	DB206-23-5	DB237-23-10	---	112357	---	112355
DB5-400-1500	DB206-46-5	DB237-46-10	112321R	---	112318	---
DB5-400-3501			---	112353	---	112352

¹ Handle kits are sold separately, choose aluminum or iron (2" thru 6" aluminum handles have 5 open positions, 8" and 10" aluminum, and all iron handles have 10 open positions)

Hopper Tees

Bill of Materials-DB510TI / DB510TA / DB610TI

Item #	Description	Part #	Qty
1	grease fitting	40158ST	1
2	nut-ground bolt 1/2"-13	10224	3
3	5" bottom drop tee fitting door	40394AL	1
4	lockwasher	40263SS	2
5	bottom drop hopper tee clamp handle	40402SS	1
6	5" bottom drop hopper tee door insert	40403I	1
7	5 x 4 bottom drop hopper tee- xv	40393I	1
8	bottom drop hopper tee pivot/clamp rod	40436SS	3
9	1/2"-13 x 3 hhcs	40443SS	1
10	bottom drop tee fitting handle cap	40444BR	1
11	e-clip 13.8mm x 5.84mm x .9mm	40442SS	1
12	1/2"-13 x 3 hhcs	40437SS	2
13	1/2" washer (0.531 I.D. x 1.125 O.D.)	40440SS	2
14	1/2"-13 lock nut w/nylon insert	40435SS	2
15	5" bottom drop tee fitting door gasket	40441BN	1
16	3/8" washer (0.406 I.D. x 1.000 O.D.)	40438SS	2
17	3/8"-16 x 0.625 hhcs	40439SS	2
18	cotter pin 3/32x 1-1/4"	40445SS	2
19	jam nut, 1/2"-13	40456SS	2
20	retain plate	40453SS	1
21	8-32 screw	40454SS	4
22	#8 split washer	40455SS	4



Replacement Parts

Part #	Description
40394AL	5" drop tee fitting door
40436SS	bottom drop tee pivot/clamp rod
DB510TI-KIT	replacement drop tee door - iron
DB510TA-KIT	replacement drop tee door - aluminum

Ultraflo Bottom Tee Replacement Parts

Part #	Description
4X4-BD-DOOR	4" bottom drop door only
8X4BDDOOR	8" bottom drop door only
4X4-BDGASKET	4" bottom drop door gasket only
6X4-BDGASKET	6" bottom drop door gasket only
8X4-BDGASKET	8" bottom drop door gasket only
4X4BDDOORASM	4" bottom drop door assembly with gasket
5X4-BDDOORASM	5" bottom drop door assembly with gasket
6X4-BDDOORASM	6" bottom drop door assembly with gasket
8X4-BDDOORASM	8" bottom drop door assembly with gasket
3/8T-BOLT	4" bottom drop door T-bolt
3/8INSERT	4" bottom drop door threaded insert for T-bolt
BDBOLTS	5", 6", and 8" bottom drop door bolt
GASKETRETAINER	gasket retainer - all sizes
3/8RETAINBOLT	3/8" gasket retainer bolt and lock nut - all sizes
5-RF	retention flange for low profile tees

Part Number Index

10-400-1500.....	18, 37	2180B/18.....	5	3000-SP	13	3543CA	15
10-400-422500	37	2180B/20.....	5	3000-SSP	13	3543CC	15
10-400-4222370	37	2180B/XX.....	5	3000TE.....	13	3544AA	15
1120/15	7	2180RK15.....	29	3000TE-B.....	13	3544CA	15
1120/18	7	2180RK18.....	29	3000TE-BSP.....	13	3544CC	15
1120/20	7	2180V/15.....	5	3000TE-S.....	13	340039.....	34
1120/XX.....	7	2180V/18.....	5	3000TE-SP.....	13	341131.....	31
10224.....	38	2180V/20.....	5	3000TE-SSP.....	13	341228.....	35
10765SS	36	2180V/XX.....	5	3001SQ-B.....	13	341351.....	31
110977.....	31, 35	2180/XX.....	5	3001SQ-BSP.....	13	341595.....	33, 34
110978.....	31, 35	2182/15.....	4	3001SQ-N.....	13	341611.....	28, 33
111111.....	22	2182/18.....	4	3001SQ-S.....	13	341841.....	35
111131.....	22	2182/20.....	4	3001SQ-SP.....	13	341842.....	35
111141.....	22	2182B/15.....	4	3001SQ-SSP.....	13	390777.....	32
111161.....	22	2182B/18.....	4	3020-C.....	32	390784.....	32
111215.....	34	2182B/20.....	4	3020-CS.....	32	390798.....	33, 34
111321.....	32	2182B/XX.....	4	3020-FA.....	32	390799.....	33, 34
111324.....	32	2182F/15.....	4	3020SQ.....	12	390846.....	34
111325.....	32	2182F/18.....	4	3020TE.....	12	390847.....	34
111326.....	32	2182F/20.....	4	3030HK.....	28, 33, 34	390911.....	35
111430.....	31	2182F/XX.....	4	3030RD-SSP.....	12	391862.....	35
111443.....	32	2182RK15.....	27	3030RK3.....	28, 33, 34	4-5-6-213.....	37
111485.....	32	2182RK18.....	27	3030SQ-SSP.....	12	4-6-400-99BPKIT	37
111723.....	35	2182/XX.....	4	3030TE-SSP.....	12	4-380-828U501	37
112254.....	31	3/8INSERT.....	38	3030VIC-SSP.....	12	4-400-422209U.....	37
112257.....	28, 33	3/8RETAINBOLT	38	3031RD.....	12	4-400-422237U.....	37
112291.....	35	3/8T-BOLT.....	38	3031SQ.....	12	4-400-422240.....	37
112293.....	35	3-380-828501	37	3031TE.....	12	4-400-422500.....	37
112295.....	35	3-400-422209F	37	3031VIC.....	12	4-400-422501.....	37
112296.....	35	3-400-422237F	37	3040ALTAL.....	25	4-480-1500.....	18, 37
112318.....	37	3-400-422240.....	37	3040DLTAL.....	25	4-480-3501.....	19, 37
112321R.....	37	3-400-422500.....	37	3090F.....	10	4A-400-1500.....	37
112352.....	37	3-400-422501.....	37	3090M.....	10	4A-400-3501.....	37
112353.....	37	3-480-1500.....	37	3090MA.....	10	4A-400-422209U	37
112354.....	37	3-480-3501.....	19, 37	3090MA-DC.....	10	4A-400-422237U.....	37
112355.....	37	300-A-ALSWIV.....	26	3090MADC-82/18...10		4A-400-422500.....	37
112356.....	37	300-ALT-AL.....	25	3090MADC-82/20...10		4A-400-422501.....	37
112357.....	37	300-A-SSSWIV.....	26	3090MAS.....	10	4A-480-1500.....	18, 37
112363.....	37	300-BK.....	31, 32	3090MB.....	10	4A-480-3501.....	19, 37
112364.....	37	300-BSPK.....	31, 32	3090MBS.....	10	4X4-BD-DOOR.....	38
112365.....	37	300-DLT-AL.....	25	3090MS.....	10	4X4BDDOORASM...38	
112366.....	37	300-E-ALSWIV.....	26	3090RK1.....	10, 28	4X4-BDGASKET.....	38
113111.....	22	300-E-SSSWIV.....	26	3090RK2.....	28, 33	400-A-ALSWIV.....	26
113131.....	22	300GDBSQCB.....	11	3091MA.....	10	400-ALT-AL.....	25
2-3-213.....	37	300GDBSQE.....	11	3091MB.....	10	400-AS-AL.....	26
2-3-400-99BPKIT	37	300GDBSQK.....	11	3091MBS.....	10	400-A-SSSWIV.....	26
2-400-1500.....	37	300GTTFCB.....	11	3091RK1.....	28, 33	400-DLT-AL.....	25
2-400-422237F	37	300GTTFK.....	11	3091RK2.....	28	400-E-ALSWIV.....	26
2-400-422240.....	37	300GTTFTK.....	11	3120/15.....	7	400-E-SSSWIV.....	26
2-400-422500.....	37	300-HR-BR.....	35	3120/18.....	7	400GAGFI.....	26
200-A-ALSWIV.....	26	300-K.....	31, 32	3120/20.....	7	400-G-BU.....	26, 35
200-A-SSSWIV.....	26	300-SK.....	31, 32	3120ADJ/XX.....	7	400GTTFCB.....	11
200-E-ALSWIV.....	26	300-SPK.....	31, 32	3120/XX.....	7	400GTTFK.....	11
200-E-SSSWIV.....	26	300-SSPK.....	31, 32	3180/15.....	5	400GTTFTK.....	11
2120/15.....	7	325-P.....	35	3180/18.....	5	4040RD.....	12
2120/18.....	7	3000-4.....	31, 32	3180/20.....	5	4040RK1.....	34
2120/20.....	7	3000-5.....	31, 32	3180/XX.....	5	4040TE.....	12
2120/XX.....	7	3000-B.....	13	3533AA.....	15	4041RD.....	12
2180/15.....	5	3000-BSP.....	13	3533CA.....	15	4041RK1.....	34
2180/18.....	5	3000CAP.....	32	3533CC.....	15	4041RK3.....	34
2180/20.....	5	3000-N.....	13	3534AA.....	15	4041TE.....	12
2180B/15.....	5	3000-S.....	13	3534CA.....	15	4042RD.....	12

Part Number Index

4042RK134	5-480-350119, 37	DB4-400-1500.....37	PC500014
4042TE.....12	5-RF.....38	DB4-400-350137	PC5000-00214
412122	5X4-BDDOORASM..38	DB4-900-150.....20	PC500114
412222	501222	DB4-900-30120	PC5001-00214
412322	505022	DB4-900-50120	PC500314
412422	505222	DB5-400-1500.....37	PC500414
412522	6-99-400BPKIT37	DB5-400-350137	PC500514
4126B.....22	6-380-828U50137	DB5-900-150.....20	PC500614
412722	6-390-39350137	DB5-900-30120	PC500714
412922	6-400-350119, 37	DB5-900-50120	RC200EZSWIV26
413022	6-400-422209U.....37	DB6-900-150.....20	RC300EZSWIV26
413422	6-400-422237U.....37	DB6-900-30120	RC400EZSWIV26
413522	6-400-42224037	DB6-900-50120	RD200EZSWIV26
413722	6-400-42250037	DB206-23-537	RD300EZSWIV26
413922	6-400-42250137	DB206-46-519, 37	RD400EZSWIV26
414922	6-480-1500.....18, 37	DB206-56-520	SC5-16-18X2.5P31
415522	6-480-350137	DB206-81019	SC5-16-18X2.75P ...31
415722	6X4-BDDOORASM..38	DB206-1010.....19	SPRG/L4603.....31, 32
444324	6X4-BDGASKET38	DB237-23-10.....19, 37	TDF6.....23
462122	600-ALT-AL25	DB237-46-10.....19, 37	TDF7.....23
462222	600-DLT-AL25	DB400-206-6537	TDF8.....23
462322	6000-1035	DB400-237-610.....37	TTF3AL24
40022ALTAL.....25	6000-1610, 28	DB500LTA21	TTF3AL-3MT11
40022DLTAL25	6000-1710, 28	DB500TA21	TTF4AL24
40158ST38	6000-1831	DB500TI21	TTF4AL-3EMT... 10, 11
40263SS38	6000-1931, 35	DB500TI-PXV21	TTF4AL-3FT11
40321TF.....11	6000-2010, 28	DB500TI-VXV21	TTF4AL-3MT11
40322TF.....11	6000-2331	DB510TA21	TTF4AL-4EMT... 10, 11
40394AL.....38	6000-2431	DB510TI21	TTF4AL-4FT11
40396NY36	6000NPHK28	DB510TI-PXC21	TTF4AL-4MT11
40397AL.....36	6400SGK.....31	DB510TI-PXP21	TTF4ALHC-3MT11
40398BN36	6544CA-131	DB510TI-PXT21	TTF4ALHC-4MT11
40402SS38	8-400-1500.....18, 37	DB510TI-PXV21	TTF400SP24
40403I.....38	8-400-422237037	DB510TI-VXC21	
40427SS36	8X4BDDOOR.....38	DB510TI-VXP21	
40428SS36	8X4-BDDOORASM..38	DB510TI-VXT21	
40429SS36	8X4-BDGASKET38	DB600LTA21	
40430SS36	A2180/15ADJ6	DB600TA21	
40431SS36	A2180/18ADJ6	DB605LTA21	
4043236	A2180/20ADJ6	DB610TI-PXP21	
40435SS38	A2180/XXADJ6	DB610TI-PXT21	
40436SS38	A3180/15ADJ6	DB610TI-PXV21	
40437SS38	A3180/18ADJ6	DB610TI-VXP21	
40438SS38	A3180/20ADJ6	DB610TI-VXT21	
40439SS38	A3180/XXADJ6	DB610TI-VXV21	
40440SS38	AC200EZSWIV26	DB100015	
40441BN38	AC200TUBE6	DBC40017	
40442SS38	AC300EZSWIV26	DBC400-P17	
40443SS38	AC400EZSWIV26	DBC400-PG17	
40444BR38	AD200EZSWIV26	DBPCB40017	
40445SS38	AD300EZSWIV26	DBV-WB400.....16	
40453SS38	AD400EZSWIV26	G200BL16	
40454SS38	ADS40026	G200T16	
40455SS38	AS15631, 35	G200VB16	
40456SS38	BDBOLTS.....38	G300BL16	
5-380-828U50137	CAL15.....5	G300T16	
5-400-422209U.....37	CAL25.....5	G300VB16	
5-400-422237U.....37	DB3-400-1500.....37	G400BL16	
5-400-42224037	DB3-400-350137	G400T16	
5-400-42250037	DB3-900-150.....20	G400VB16	
5-400-42250137	DB3-900-30120	GASKETRETAINER.38	
5-480-1500.....18, 37	DB3-900-50120	O-RINGAS23831	

Limited Warranty

DIXON VALVE AND COUPLING COMPANY, LLC (herein called "Dixon") warrants the products described herein and manufactured by Dixon to be free from defects in material and workmanship for a period of one (1) year from date of shipment by Dixon under normal use and service. Its sole obligation under this warranty being limited to repairing or replacing, as hereinafter provided, at its option any product found to Dixon's satisfaction to be defective upon examination by it, provided that such product shall be returned for inspection to Dixon's factory within three (3) months after discovery of the defect. The repair or replacement of defective products will be made without charge for parts or labor. This warranty shall not apply to: (a) parts or products not manufactured by Dixon, the warranty of such items being limited to the actual warranty extended to Dixon by its supplier; (b) any product that has been subject to abuse, negligence, accident, or misapplication; (c) any product altered or repaired by others than Dixon; and (d) to normal maintenance services and the replacement of service items (such as washers, gaskets, and lubricants) made in connection with such services. To the extent permitted by law, this limited warranty shall extend only to the buyer and any other person reasonably expected to use or consume the goods who is injured in person by any breach of the warranty. No action may be brought against Dixon for an alleged breach of warranty unless such action is instituted within one (1) year from the date the cause of action accrues. This limited warranty shall be construed and enforced to the fullest extent allowable by applicable law.

Other than the obligation of Dixon set forth herein, Dixon disclaims all warranties, express or implied, including but not limited to any implied warranties of merchantability or fitness for a particular purpose, and any other obligation or liability. The foregoing constitutes Dixon's sole obligation with respect to damages, whether direct, incidental, or consequential, resulting from the use or performance of the product.

Some products and sizes may be discontinued when stock is depleted or may require a minimum quantity for ordering.

About This Catalog and Our Products

This catalog is intended as a product offering. It is not a user or technical manual. Information in this catalog is subject to change without notice. We may modify product design and specification without notice and without any obligation to modify or substitute products previously purchased. All users and distributors of products sold through this catalog are strongly encouraged to contact Dixon with questions on use, compatibilities, coupling procedures, and life of product. Our full-time engineering and test staff are always available to recommend uses and to assist distributors and users with questions.



Safety



Safety logos, which appear throughout our catalog, are used as a reminder that the user should carefully review for the appropriateness of the product for the media, application, and environment in which it will be used.

NOTE: Because of the health hazards associated with contamination and lead content in drinking water systems, Dixon couplings, unless otherwise specifically approved, are not recommended for potable water service and should not be used in applications where drinking water will contact the wetted surfaces of the coupling.

All Dixon products are shipped in cartons with the following warning:

"WARNING: This product contains lead, a chemical known to the State of California to cause cancer and birth defects or other reproductive harm."

Trademarks

Delrin® and Zytel® are registered trademarks of E.I. duPont Nemours and Company.

Kalrez® is a registered trademark of DuPont Dow Elastomers.

All other trademarks appearing in the Dixon illustrated price list are the property of their respective owners.

Copyright

Copyright © 2022 by Dixon Valve and Coupling, LLC

All rights reserved. This book is copyrighted material. Use, reproduction or copying of it by anyone other than Dixon® is strictly forbidden without its express written consent.

NOTE: Reasonable care has been taken in preparing this catalog. Dixon Valve & Coupling Company, LLC reserves the right to make corrections.



